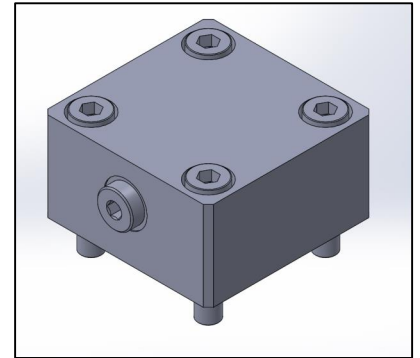




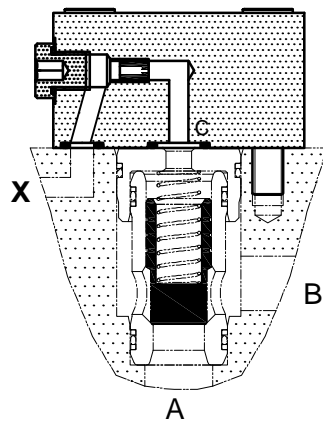
Description

The covers **CVC*X** are designed to hold polyhydron make Cartridge valves model **CV***** in cavities machined as per ISO 7368, and to provide oil passage to their control port **C** via **X** port provided on the cover to control the opening and closing operation of the cartridge valve.

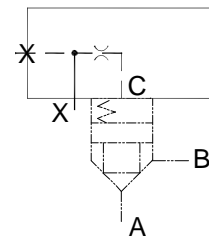
The passage has an orifice screwed into it, for influencing the rate of opening and closing of the poppet of the cartridge valve, there by reducing / eliminating shocks in the main circuit oil flow. The threaded port on the cover can also be used for diagnostic purpose or for parallel supply of oil to some other function. This is particularly useful for the onsite modifications to the circuit.



Section



Hydraulic symbol



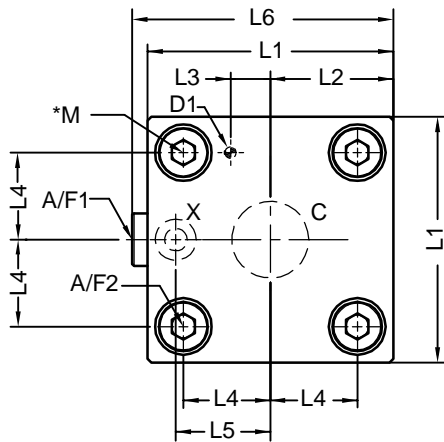
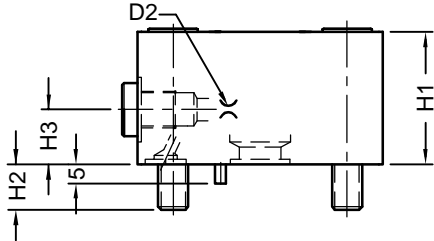
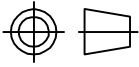
Technical specifications

Function	:	To hold Polyhydron Cartridges in cavity machined as per ISO 7368. To provide oil passage to the control port C via X port provided on the cover to control the opening and closing operation of the cartridge valve.
Mounting interface	:	As per ISO 7368
Hydraulic medium	:	Mineral oil.
Temperature range	:	-20°C to + 80°C.
Viscosity range	:	10 cSt to 380 cSt.
Fluid cleanliness required	:	ISO 4406 20/18/15 or better.



Unit dimensions

Dimensions in mm.



Note:

Mounting interface for cover as per ISO 7368, for dimensional details and engineering data refer Cartridge valve data sheet D03426.

* Cover fixing S.H.C Screws are **OUT OF SCOPE OF SUPPLY.**

Size	Mass Kg. approx	L1	L2	L3	L4	L5	L6	D1	D2	H1	H2	H3	A/F1	A/F2	*M. 4 nos. Cover fixing S.H.C. Screw (Class 12.9)	Tightening Torque.
16	1.0	65	32.5	10.5	23	25	69.5	3	2	35	12	20	5	6	M8 x 50 Long	39 Nm
25	2.1	85	42.5	16	29	33	89	5	2	40	18	25	6	10	M12 x 45 Long	135 Nm
32	4.0	102	51	17	35	41	106	5	2	50	24	30	6	14	M16 x 55 Long	330 Nm
40	7.5	125	62.5	23	42.5	50	130	5	2	60	30	30	10	17	M20 x 70 Long	650 Nm

Ordering code

