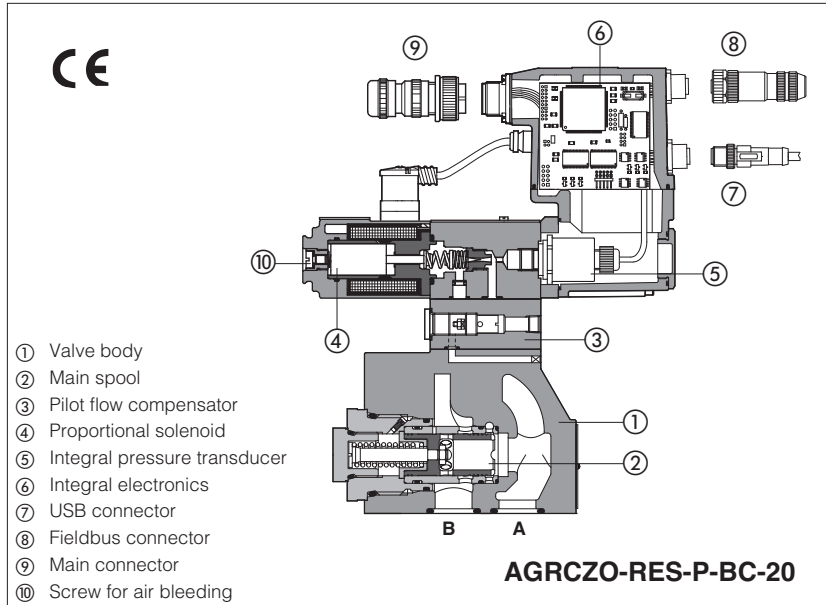


Proportional reducing valves with integral pressure transducer

digital, pilot operated, closed loop high performances, rugged design



AGRCZO-R, AGRCZO-REB, AGRCZO-RES

Pilot operated digital proportional reducing valves with integral pressure transducer for pressure closed loop controls.

Executions:

- **R** without integral driver, to be coupled with separated driver type E-BM-RES, see table GS203
- **REB** with basic integral digital electronic driver, analog reference signals and USB port for software functional parameters setting
- **RES** with full integral digital electronic driver and fieldbus interface for functional parameters setting, reference signals and real-time diagnostics

The integral digital electronic driver performs the valve's hydraulic regulation according to the reference signal and assures valve-to-valve interchangeability thanks to the factory presetting

Size: **10 and 20**

Max flow: **160 and 300 l/min**

Max pressure: **350 bar**

1 MODEL CODE

| | | | | | | | | | | | | | | | | | | | |
|---|---|--|-----------|---------------------------------------|----------|---------------------------|-----------|---------------|-----------|---------------|------------|-------------|----------|-------------|----------|--|---|---|--|
| AGRCZO | - | R | EB | - | P | - | NP | - | 10 | / | 315 | / | * | / | * | ** | / | * | |
| Proportional pressure relief valve, two stage | | R = closed loop pressure control | | P = with integral pressure transducer | | NP = Not present | | 10 = 10 mm | | 315 = 315 bar | | * = 100 bar | | * = 210 bar | | ** = Series number | | * = Seals material, see sect. 5, 6: - = NBR PE = FKM BT = HNBR | |
| - | | = omit for execution with separated driver see section 2 | | EB = basic integral driver | | ES = full integral driver | | | | | | | | | | Dynamic response preset see sect. 10: - = omit for PID 1 fast (default) 2 = PID 2 standard 3 = PID 3 smooth | | | |
| Fieldbus interfaces - USB port always present (1) | | NP = Not present | | BP = PROFIBUS DP | | BC = CANopen | | EH = EtherCAT | | | | | | | | | | | |

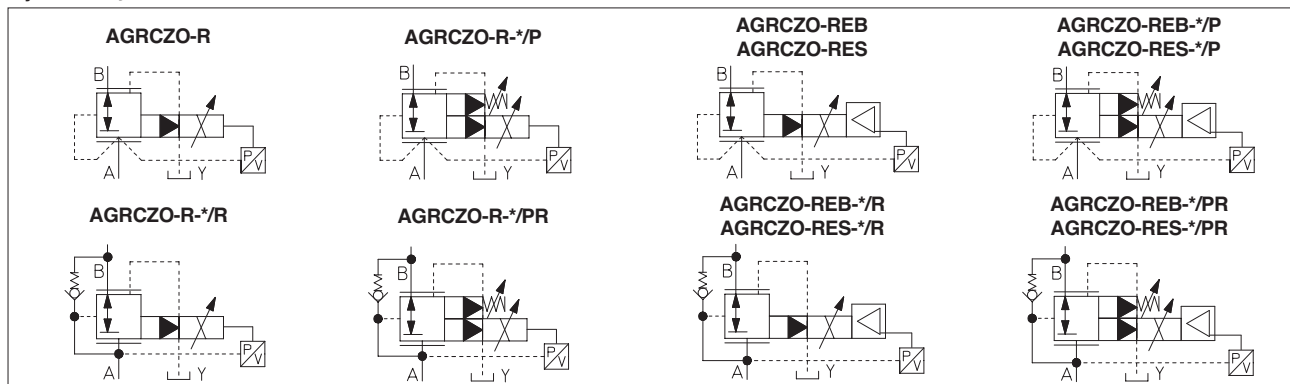
Valve size ISO 5781: **10, 20**

Max regulated pressure:

100 = 100 bar 210 = 210 bar 315 = 315 bar 350 = 350 bar

(1) Omit for **R** execution; **REB** available only in version **NP**; **RES** available only in version **BC, BP, EH**

Hydraulic symbol



2 ELECTRONIC DRIVERS

| | | | |
|---------------|-----------------------|-------------------|------------|
| Valve model | R | REB | RES |
| Drivers model | E-BM-RES | E-RI-REB | E-RI-RES |
| Type | Digital | | |
| Format | DIN rail panel format | Integral to valve | |
| Data sheet | GS203 | GS205 | |

Note: for main and communication connectors see sections [15](#), [16](#)

3 GENERAL NOTES

AGRCZO-R* proportional valve are CE marked according to the applicable Directives (e.g. Immunity/Emission EMC Directive and Low Voltage Directive). Installation, wirings and start-up procedures must be performed according to the general prescriptions shown in table F003 and in the installation notes supplied with relevant components.

The electrical signals of the valve (e.g. monitor signals) must not be directly used to activate safety functions, or components, as prescribed by the European standards (Safety requirements of fluid technology systems and components-hydraulics, EN-982).

4 FIELDBUS - only for RES

Fieldbus allows the direct communication of the proportional valve with machine control unit for digital reference signal, diagnostics and settings of functional parameters. Analog reference signal remain available on the main connector for quick commissioning and maintenance. For detailed information about fieldbus features and specification see tech table **GS510**

5 MAIN CHARACTERISTICS - based on mineral oil ISO VG 46 at 50 °C

| | | | | |
|--|---|--------------------------------|-----------------------------------|--------------------------------------|
| Assembly position | Any position | | | |
| Subplate surface finishing | Roughness index, Ra 0,4 flatness ratio 0,01/100 (ISO 1101) | | | |
| MTTFd valves according to EN ISO 13849 | 75 years, see technical table P007 | | | |
| Ambient temperature range | R: standard = -20°C ÷ +70°C, | | /BT option = -40°C ÷ +60°C | |
| Storage temperature range | REB, RES: standard = -20°C ÷ +60°C, | | /BT option = -40°C ÷ +60°C | |
| Coil resistance R at 20°C | 3 ÷ 3,3 Ω | | | |
| Max. solenoid current | 2,6 A | | | |
| Max. power | R = 30 Watt | | REB, RES = 50 Watt | |
| Pressure transducer | E-ATR-8*/I output signal = 4÷ 20 mA - see tech. table GS465 | | | |
| Insulation class | H (180°) Due to the occurring surface temperatures of the solenoid coils, the European standards ISO 13732-1 and EN982 must be taken into account | | | |
| Protection degree to DIN EN60529 | IP66/67 with mating connectors | | | |
| Tropicalization (only REB, RES) | Tropical coating on electronics PCB | | | |
| Duty factor | Continuous rating (ED=100%) | | | |
| EMC, climate and mechanical load | See technical table G004 | | | |
| Communication interface (only REB, RES) | USB Atos ASCII coding | CANopen EN50325-4 + DS408 | PROFIBUS DP EN50170-2/IEC61158 | EtherCAT IEC 61158 |
| Communication physical layer (only REB, RES) | not insulated USB 2.0 + USB OTG | optical insulated CAN ISO11898 | optical insulated RS485 | Fast Ethernet, insulated 100 Base TX |
| Valve size | 10 | | 20 | |
| Max regulated pressure [bar] | 100; 210; 315; 350 | | | |
| Min. regulated pressure [bar] | 1; 3 (only for /350) | | | |
| Max. pressure at port A or B [bar] | 350 | | | |
| Max. pressure at port Y [bar] | pilot drain always external, to be directly connected to tank at zero pressure | | | |
| Max. flow [l/min] | 160 | | 300 | |
| Response time 0-100% step signal (1) (depending on installation) [ms] | ≤ 45 | | ≤ 50 | |
| Hysteresis [% of the max pressure] | ≤ 0,5 | | | |
| Linearity [% of the max pressure] | ≤ 1,0 | | | |
| Repeatability [% of the max pressure] | ≤ 0,2 | | | |
| Thermal drift | zero point displacement < 1% at ΔT = 40°C | | | |

Notes: above performance data refer to valves coupled with Atos electronic drivers, see section [2](#)

(1) Average response time value; the pressure variation in consequence of a modification of the reference input signal to the valve is affected by the stiffness of the hydraulic circuit: greater is the stiffness of the circuit, faster is the dynamic response, see section [10](#)

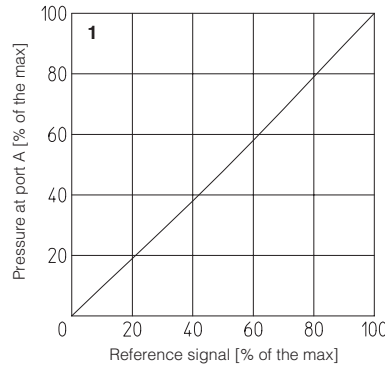
6 SEALS AND HYDRAULIC FLUID - for other fluids not included in below table, consult our technical office

| | | | |
|--------------------------------------|---|----------------------------|----------------------|
| Seals, recommended fluid temperature | NBR seals (standard) = -20°C ÷ +60°C, with HFC hydraulic fluids = -20°C ÷ +50°C FKM seals (/PE option) = -20°C ÷ +80°C HNBR seals (/BT option) = -40°C ÷ +60°C, with HFC hydraulic fluids = -40°C ÷ +50°C | | |
| Recommended viscosity | 20 ÷ 100 mm ² /s - max allowed range 15 ÷ 380 mm ² /s | | |
| Fluid contamination class | ISO 4406 class 20/18/15 NAS 1638 class 9, achievable with in line filter - 10 μm (β10 ≥75 recommended) | | |
| Hydraulic fluid | Suitable seals type | Classification | Ref. Standard |
| Mineral oils | NBR, FKM, HNBR | HL, HLP, HLPD, HVLP, HVLPD | DIN 51524 |
| Flame resistant without water | FKM | HFDU, HFDR | ISO 12922 |
| Flame resistant with water | NBR, HNBR | HFC | |

7 DIAGRAMS (based on mineral oil ISO VG 46 at 50 °C)

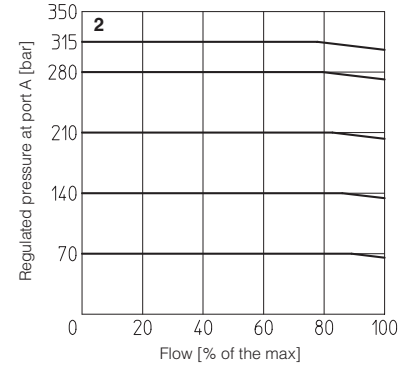
1 Regulation diagrams

with flow rate Q = 10 l/min



2 Pressure/flow diagrams

with reference pressure set with Q = 10 l/min



3-6 Pressure drop/flow diagrams

with zero reference signal

Differential pressure B→A

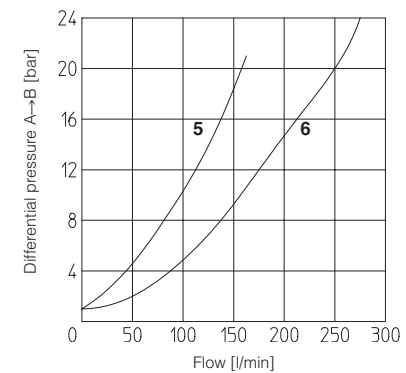
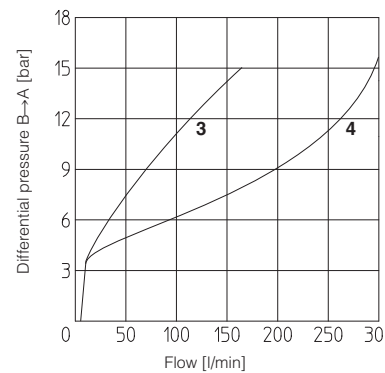
3 = AGRCZO-*-10

4 = AGRCZO-*-20

Differential pressure A→B (through check valve)

5 = AGRCZO-*-10*/R

6 = AGRCZO-*-20*/R



8 HYDRAULIC OPTIONS

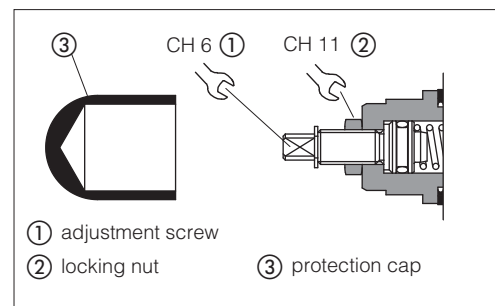
8.1 Option /P - integral mechanical pressure limiter

The AGRCZO-*/P are provided with mechanical pressure limiter acting as protection against overpressure. For safety reasons the factory setting of the mechanical pressure limiter is fully unloaded (min pressure).

At the first commissioning it must be set at a value lightly higher than the max pressure regulated with the proportional control.

For the pressure setting of the mechanical pressure limiter, proceed according to following steps:

- apply the max reference input signal to the valve's driver. The system pressure will not increase until the mechanical pressure limiter remains unloaded.
- turn clockwise the adjustment screw ① until the system pressure will increase up to a stable value corresponding to the pressure setpoint at max reference input signal.
- turn clockwise the adjustment screw ① of additional 1 or 2 turns to ensure that the mechanical pressure limiter remains closed during the proportional valve working.

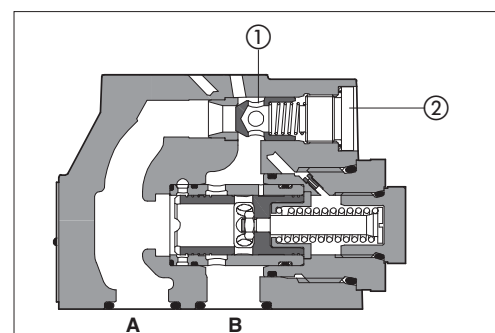


8.2 Option /R - integral check valve for free reverse flow

The AGRCZO-*/R are provided with integral check valve for free reverse flow A→B

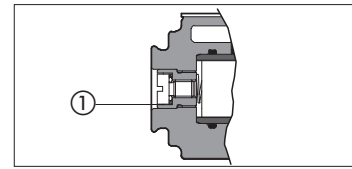
① Check valve - cracking pressure = 0,5 bar

② Plug



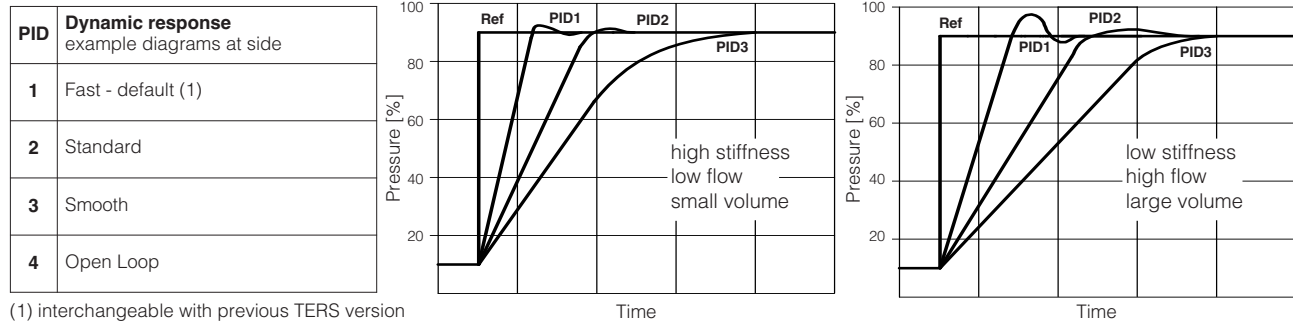
9 AIR BLEEDING

At the first valve commissioning the air eventually trapped inside the solenoid must be bled-off through the screw ① located at the rear side of the solenoid housing. The presence of air may cause pressure instability and vibrations.



10 DYNAMIC RESPONSE - 4 pressure PIDs

The valve is provided with 4 PIDs configurations to match different hydraulic conditions. The required PID configuration can be selected before the valve commissioning, through Atos E-SW software via USB port. Only for **RES** the PID can be also selected in real time, through PLC via fieldbus.



(1) interchangeable with previous TERS version

Above indications have to be considered as a general guideline, being affected by hydraulic circuit stiffness, working flow and dead volume. The valve's dynamics can be further optimized on the specific application, customizing PIDs parameters.

11 PRESSURE TRANSDUCER FAILURE

In case of pressure transducer failure, the valve's reaction can be configured through Atos E-SW software to:

- cut off the current to solenoid, therefore the regulated pressure will be reduced to minimum value (default setting)
- automatically switch the pressure control from closed loop (PID1,2,3) to open loop (PID4), to let the valve to temporarily operate with reduced regulation accuracy

12 ELECTRONIC OPTIONS

Standard driver execution provides on the 7 pin main connector:

Power supply - 24 V_{DC} must be appropriately stabilized or rectified and filtered; a 2,5 A fuse time lag is required in series to each driver power supply. Apply at least a 10000 µF/40 V capacitance to single phase rectifiers or a 4700 µF/40 V capacitance to three phase rectifiers

Reference input signal - analog differential input with 0÷+10 V_{DC} nominal range (pin D, E), proportional to desired valve pressure regulation

Monitor output signal - analog output signal proportional to the actual valve pressure regulation = 0÷+10 V_{DC} nominal range

Note: a minimum booting time of 500 ms has been considered from the driver energizing with the 24 V_{DC} power supply before the valve has been ready to operate. During this time the current to the valve coils is switched to zero.

12.1 Option /I

It provides 4 ÷ 20 mA current reference and monitor signals, instead of the standard 0÷+10 V_{DC}.

Input signal can be reconfigured via software selecting between voltage and current, within a maximum range of ±10 V or ±20 mA.

It is normally used in case of long distance between the machine control unit and the valve or where the reference signal can be affected by electrical noise; the valve functioning is disabled in case of reference signal cable breakage

12.2 Option /Q

To enable the driver, supply 24 V_{DC} on pin C referred to pin B: Enable input signal allows to enable/disable the current supply to the solenoid, without removing the electrical power supply to the driver; it is used to maintain active the communication and the other driver functions when the valve has to be disabled. This condition does not comply with European Norms EN13849-1 (ex EN954-1).

12.3 Option /Z

It provides, on the 12 pin main connector, the following additional features:

Enable Input Signal

To enable the driver, supply 24 V_{DC} on pin 3 referred to pin 2: Enable input signal allows to enable/disable the current supply to the solenoid, without removing the electrical power supply to the driver; it is used to maintain active the communication and the other driver functions when the valve has to be disabled. This condition does not comply with European Norms EN13849-1 (ex EN954-1).

Fault Output Signal

Fault output signal indicates fault conditions of the driver (solenoid short circuits/not connected, reference signal cable broken for 4÷20mA input, etc.). Fault presence corresponds to 0 V_{DC}, normal working corresponds to 24 V_{DC} (pin 11 referred to pin 2): Fault status is not affected by the Enable input signal

Power supply for driver's logics and communication

Separate power supply (pin 9, 10) allow to cut solenoid power supply (pin 1, 2) while maintaining active diagnostics, USB and fieldbus communication. A safety fuse is required in series to each driver power supply: 500 mA fast fuse.

12.4 Possible combined options: /IQ, /IZ

13 PROGRAMMING TOOLS - see tech table GS500

Valve's functional parameters and configurations, can be easily set and optimized using Atos E-SW programming software connected via USB port to the digital driver. For fieldbus versions, the software permits valve's parameterization through USB port also if the driver is connected to the central machine unit via fieldbus.

The software is available in different versions according to the driver's options:

E-SW-BASIC support: NP (USB) PS (Serial) IR (Infrared)

E-SW-FIELDBUS support: BC (CANopen) BP (PROFIBUS DP) EH (EtherCAT)

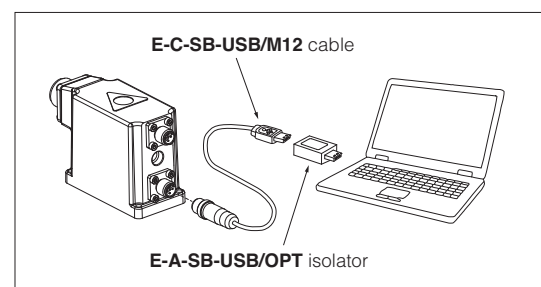
EW (POWERLINK) EI (EtherNet/IP)

E-SW-*/PQ support: valves with SP, SF, SL alternated control (e.g. E-SW-BASIC/PQ)

WARNING: drivers USB port is not isolated!

The use of isolator adapter is highly recommended for PC protection (see table GS500)

USB connection



14 ELECTRONIC CONNECTIONS

14.1 Main connector signals - 7 pin - standard and /Q option - AGRCZO-REB and AGRCZO-RES (A1)

| PIN | Standard | /Q | TECHNICAL SPECIFICATIONS | NOTES |
|-----|----------------------------------|--------|--|--|
| A | V+ | | Power supply 24 Vdc Rectified and filtered: $V_{RMS} = 20 \div 32 V_{MAX}$ (ripple max 10 % V_{PP}) | Input - power supply |
| B | V0 | | Power supply 0 Vdc | Gnd - power supply |
| C | AGND | | Analog ground | Gnd - analog signal |
| | | ENABLE | Enable (24 Vdc) or disable (0 Vdc) the driver, referred to V0 | Input - on/off signal |
| D | P_INPUT+ | | Pressure reference input signal: $\pm 10 V_{dc} / \pm 20 mA$ maximum range Defaults are 0 \div 10 Vdc for standard and 4 \div 20 mA for /I option | Input - analog signal Software selectable |
| E | INPUT- | | Negative reference input signal for P_INPUT+ | Input - analog signal |
| F | P_MONITOR referred to: AGND V0 | | Pressure monitor output signal: 0 \div 10 Vdc / 0 \div 20 mA maximum range Defaults are 0 \div 10 Vdc for standard and 4 \div 20 mA for /I option | Output - analog signal Software selectable |
| G | EARTH | | Internally connected to driver housing | |

14.2 Main connector signals - 12 pin - /Z option - AGRCZO-REB and AGRCZO-RES (A2)

| PIN | /Z | TECHNICAL SPECIFICATIONS | NOTES |
|-----|-----------|--|--|
| 1 | V+ | Power supply 24 Vdc Rectified and filtered: $V_{RMS} = 20 \div 32 V_{MAX}$ (ripple max 10 % V_{PP}) | Input - power supply |
| 2 | V0 | Power supply 0 Vdc | Gnd - power supply |
| 3 | ENABLE | Enable (24 Vdc) or disable (0 Vdc) the driver, referred to V0 | Input - on/off signal |
| 4 | P_INPUT+ | Pressure reference input signal: $\pm 10 V_{dc} / \pm 20 mA$ maximum range Defaults are 0 \div 10 Vdc for standard and 4 \div 20 mA for /I option | Input - analog signal Software selectable |
| 5 | INPUT- | Negative reference input signal for P_INPUT+ | Input - analog signal |
| 6 | P_MONITOR | Pressure monitor output signal: 0 \div 10 Vdc / 0 \div 20 mA maximum range, referred to V0 Defaults are 0 \div 10 Vdc for standard and 4 \div 20 mA for /I option | Output - analog signal Software selectable |
| 7 | NC | Do not connect | |
| 8 | NC | Do not connect | |
| 9 | VL+ | Power supply 24 Vdc for driver's logic and communication | Input - power supply |
| 10 | V0 | Power supply 0 Vdc for driver's logic and communication | Gnd - power supply |
| 11 | FAULT | Fault (0 Vdc) or normal working (24 Vdc), referred to V0 | Output - on/off signal |
| PE | EARTH | Internally connected to driver housing | |

14.3 Communication connectors - AGRCZO-REB (B) and AGRCZO-RES (B) (C)

| (B) USB connector - M12 - 5 pin always present | | |
|--|---------|-----------------------------|
| PIN | SIGNAL | TECHNICAL SPECIFICATION (1) |
| 1 | +5V_USB | Power supply |
| 2 | ID | Identification |
| 3 | GND_USB | Signal zero data line |
| 4 | D- | Data line - |
| 5 | D+ | Data line + |

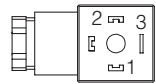
| (C1) BC fieldbus execution, connector - M12 - 5 pin (2) | | |
|---|----------|-----------------------------|
| PIN | SIGNAL | TECHNICAL SPECIFICATION (1) |
| 1 | CAN_SHLD | Shield |
| 2 | NC | do not connect |
| 3 | CAN_GND | Signal zero data line |
| 4 | CAN_H | Bus line (high) |
| 5 | CAN_L | Bus line (low) |

| (C2) BP fieldbus execution, connector - M12 - 5 pin (2) | | |
|---|--------|---------------------------------------|
| PIN | SIGNAL | TECHNICAL SPECIFICATION (1) |
| 1 | +5V | Termination supply signal |
| 2 | LINE-A | Bus line (high) |
| 3 | DGND | Data line and termination signal zero |
| 4 | LINE-B | Bus line (low) |
| 5 | SHIELD | |

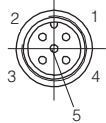
| (C3) (C4) EH fieldbus execution, connector - M12 - 4 pin (2) | | |
|--|--------|-----------------------------|
| PIN | SIGNAL | TECHNICAL SPECIFICATION (1) |
| 1 | TX+ | Transmitter |
| 2 | RX+ | Receiver |
| 3 | TX- | Transmitter |
| 4 | RX- | Receiver |
| Housing | SHIELD | |

Notes: (1) shield connection on connector's housing is recommended (2) only for RES execution

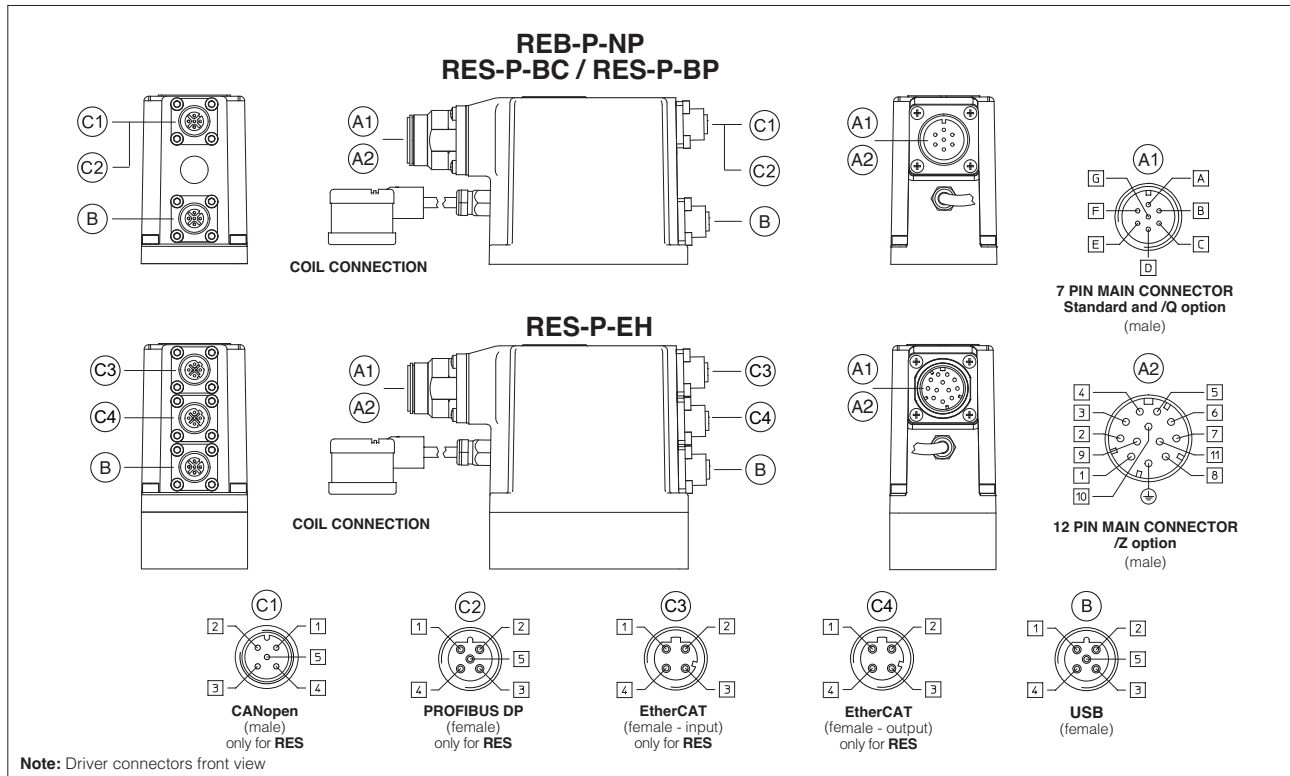
14.4 Solenoid connection - only for AGRCZO-R

| PIN | SIGNAL | TECHNICAL SPECIFICATION | Connector code 666 |
|-----|--------|-------------------------|---|
| 1 | COIL | Power supply |  |
| 2 | COIL | Power supply | |
| 3 | GND | Ground | |

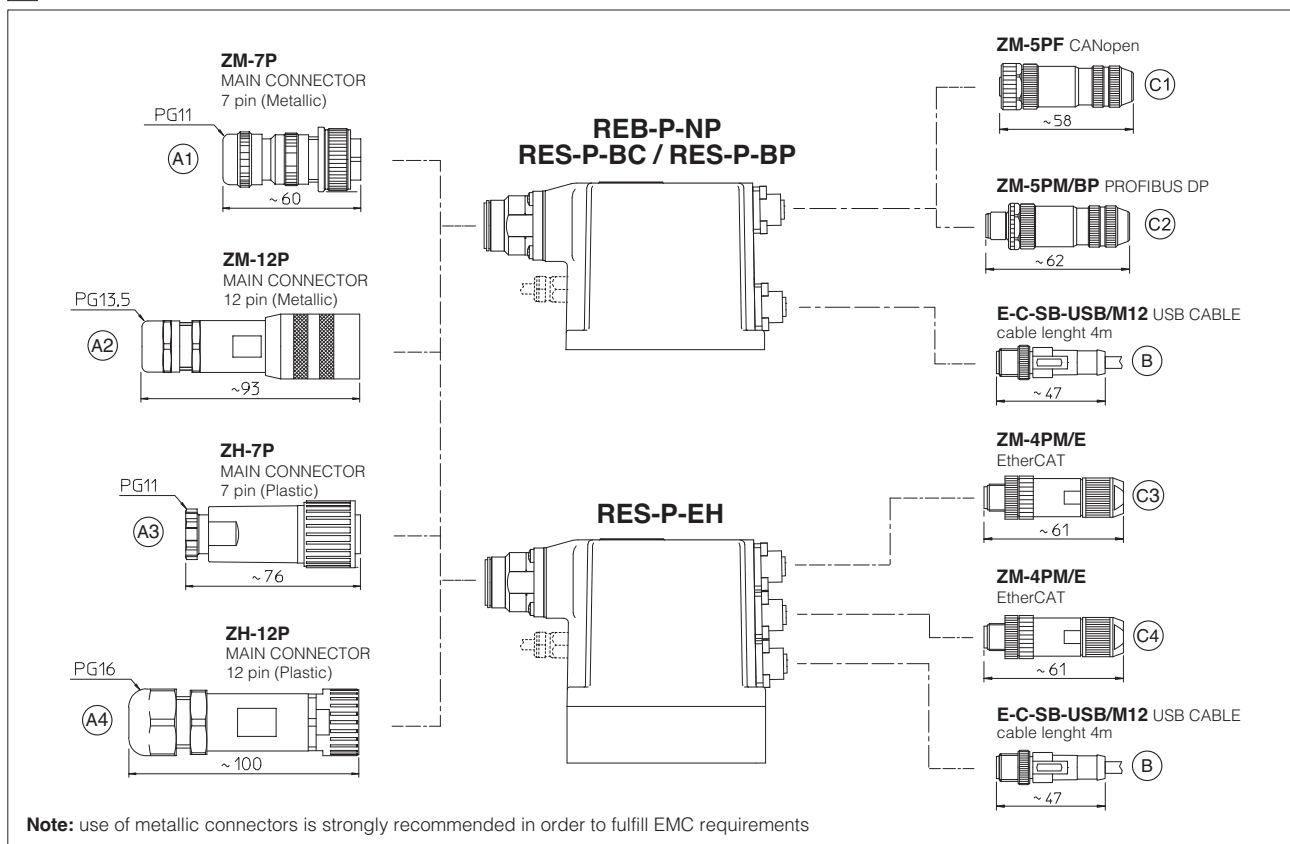
14.5 Pressure transducer connection - only for AGRCZO-R

| PIN | SIGNAL | TECHNICAL SPECIFICATION | Connector code ZBE-08 |
|-----|--------|------------------------------|---|
| 1 | V+ | Power supply |  |
| 2 | NC | Not connected | |
| 3 | Vout | output signal 4 \div 20 mA | |
| 4 | NC | Not connected | |
| 5 | NC | Not connected | |

14.6 Connections layout - only for REB and RES



15 CONNECTORS



16 MODEL CODES OF MAIN CONNECTORS AND COMMUNICATION CONNECTORS - to be ordered separately

| VALVE VERSION | R (1) | | REB RES | REB/Z RES/Z | BC - CANopen | BP - PROFIBUS DP | EH - EtherCAT |
|-------------------|--------------|---------------------|-------------|----------------|--------------|------------------|---------------|
| | Power supply | Pressure transducer | | | | | |
| CONNECTOR CODE | 666 | ZBE-08 | ZM-7P (A1) | ZM-12P (A2) | ZM-5PF (C1) | ZM-5PM/BP (C2) | ZM-4PM/E (C3) |
| | | | ZH-7P (A3) | ZH-12P (A4) | | | ZM-4PM/E (C4) |
| PROTECTION DEGREE | IP65 | | IP67 | | | | |
| DATA SHEET | K500 | | GS205, K500 | | | | |

(1) Connectors supplied with the valve

only for RES

SIZE 10

ISO 5781: 2000

Mounting surface: 5781-06-07-0-00 (see table P005)

Fastening bolts:

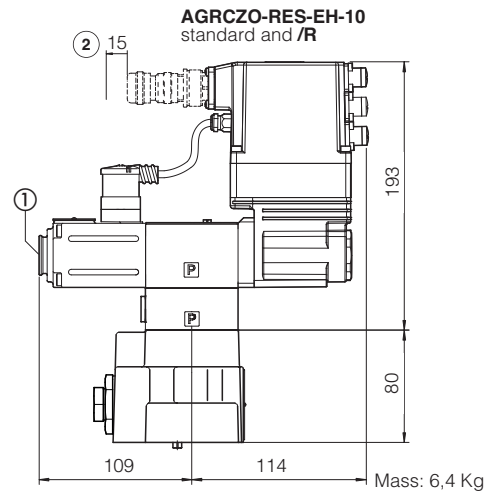
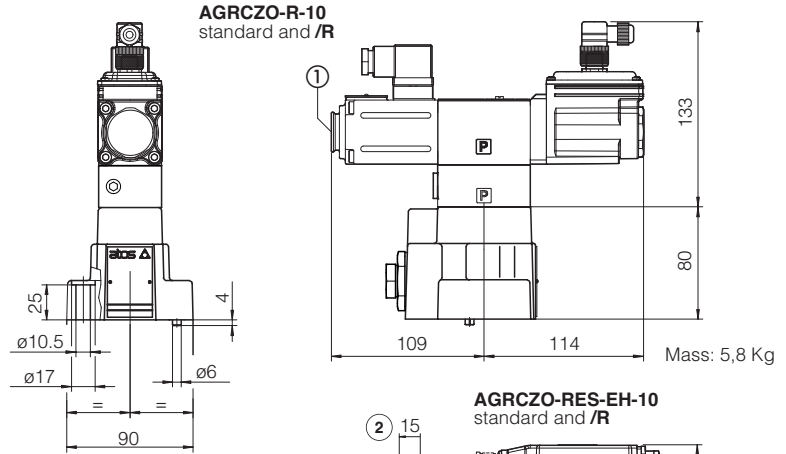
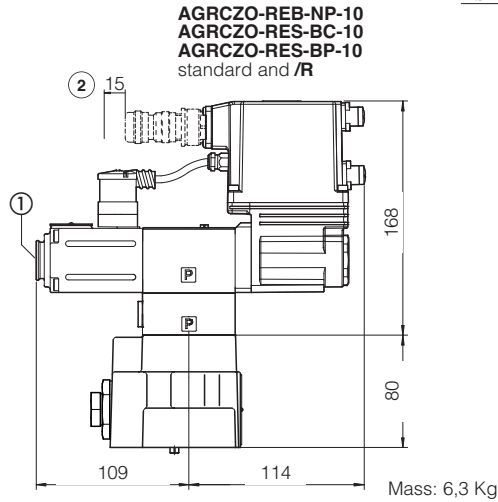
4 socket head screws M10x45 class 12.9

Tightening torque = 70 Nm

Seals: 2 OR 109/70; 2 OR 3068

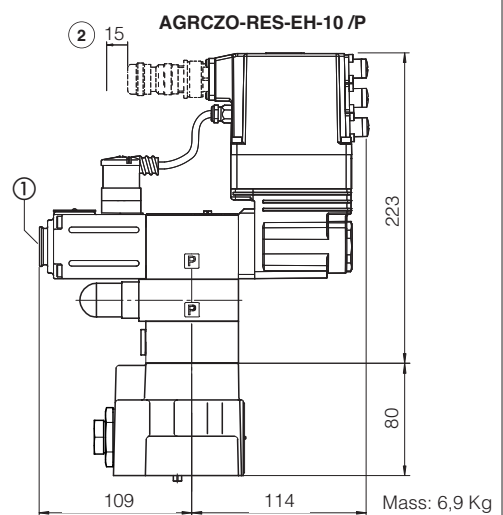
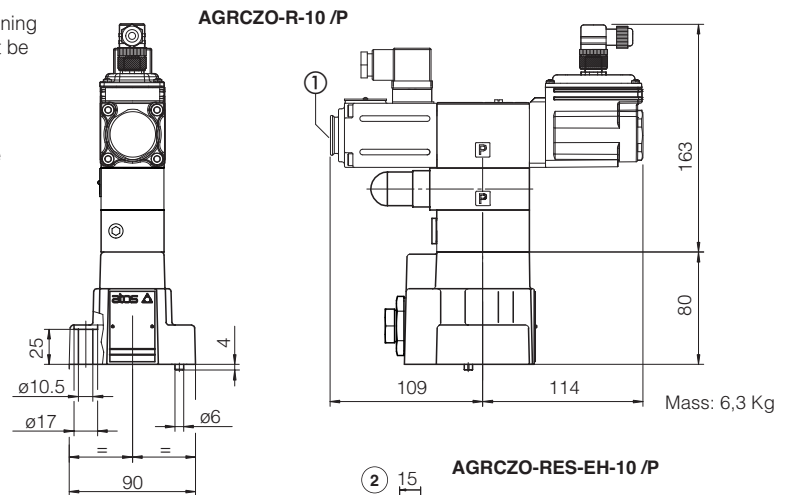
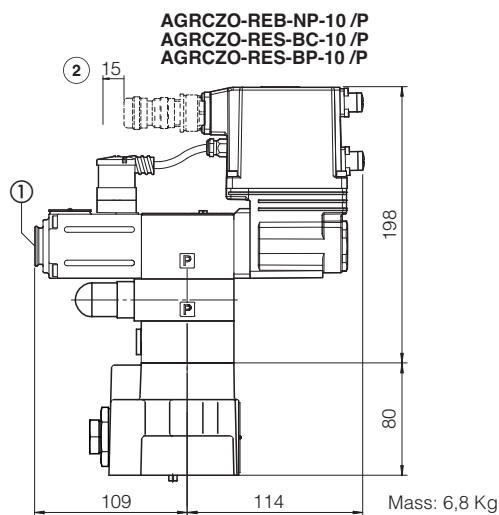
Diameters of ports A, B: $\varnothing = 14$ mm

Diameters of ports X, Y: $\varnothing = 5$ mm



① = Screw for air bleeding: at the first valve commissioning the air eventually trapped inside the solenoid must be bled-off through the screw ①

② = Space to remove the 7 or 12 pin main connector. For main and communication connectors see section 15, 16



SIZE 20

ISO 5781: 2000

Mounting surface: 5781-08-10-0-00 (see table P005)

Fastening bolts:

4 socket head screws M10x45 class 12.9

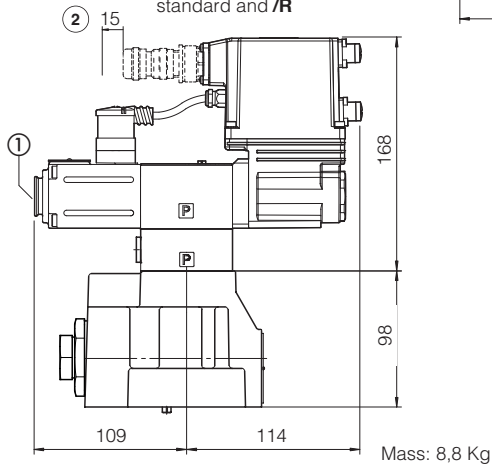
Tightening torque = 70 Nm

Seals: 2 OR 109/70 ; 2 OR 4100

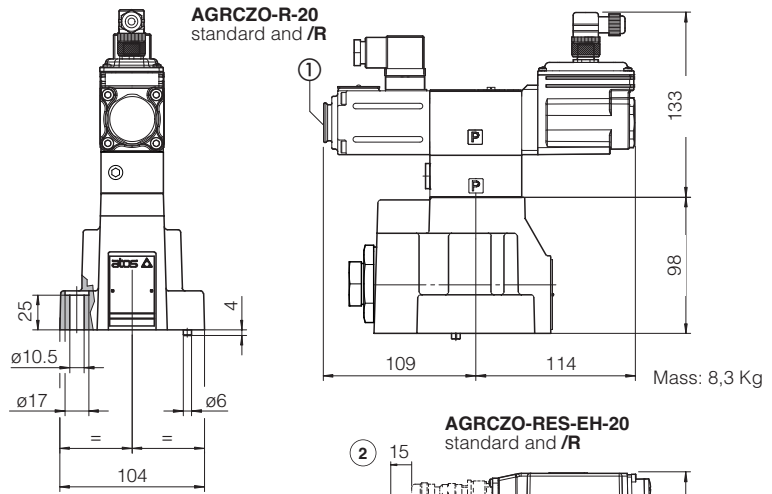
Diameters of ports A, B: $\varnothing = 22$ mm

Diameters of ports X, Y: $\varnothing = 5$ mm

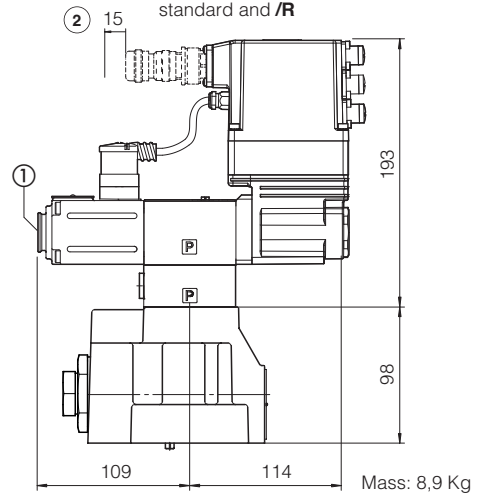
AGRCZO-REB-NP-20
AGRCZO-RES-BC-20
AGRCZO-RES-BP-20
standard and /R



AGRCZO-R-20
standard and /R



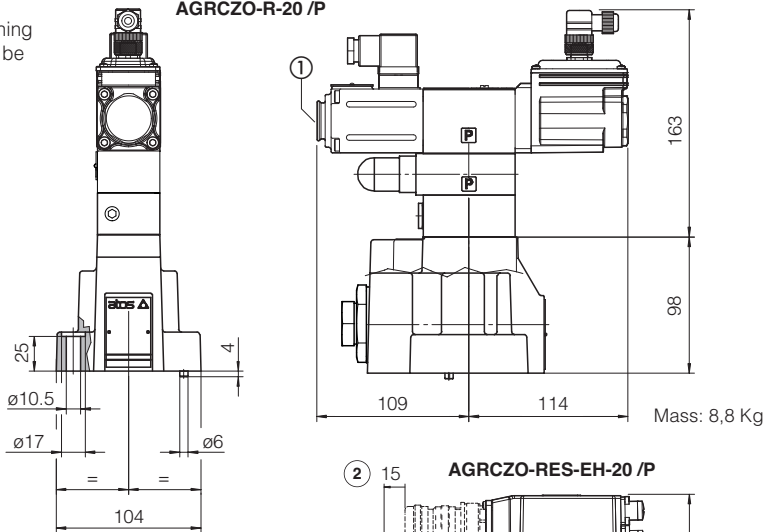
AGRCZO-RES-EH-20
standard and /R



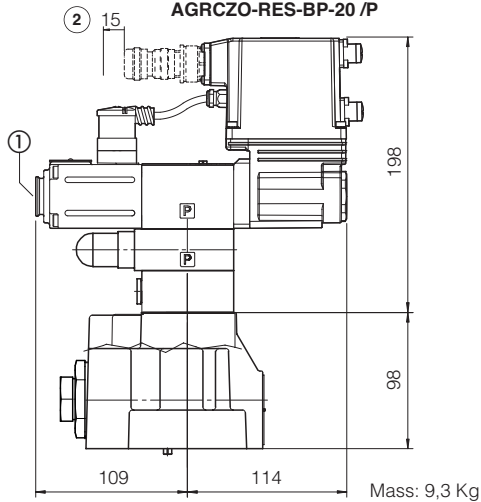
① = Screw for air bleeding: at the first valve commissioning the air eventually trapped inside the solenoid must be bled-off through the screw ①

② = Space to remove the 7 or 12 pin main connector. For main and communication connectors see section 15, 16

AGRCZO-R-20 /P



AGRCZO-REB-NP-20 /P
AGRCZO-RES-BC-20 /P
AGRCZO-RES-BP-20 /P



AGRCZO-RES-EH-20 /P

