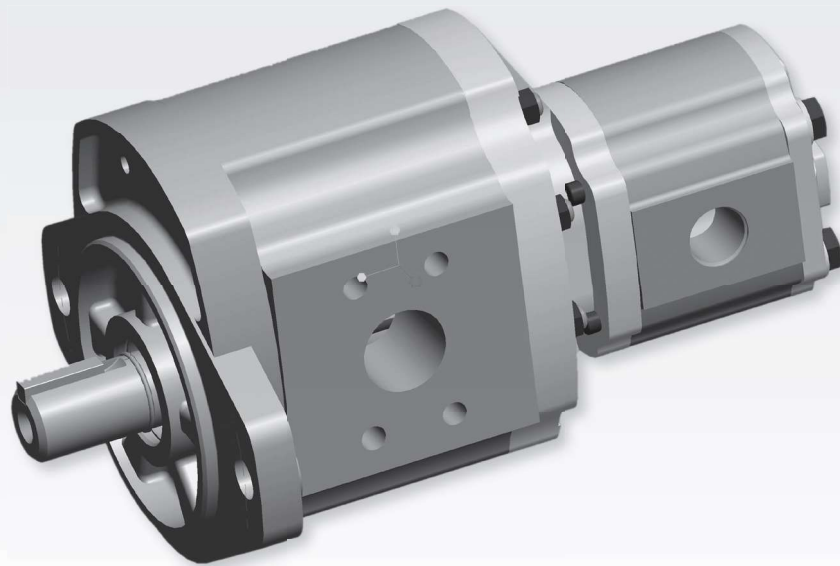
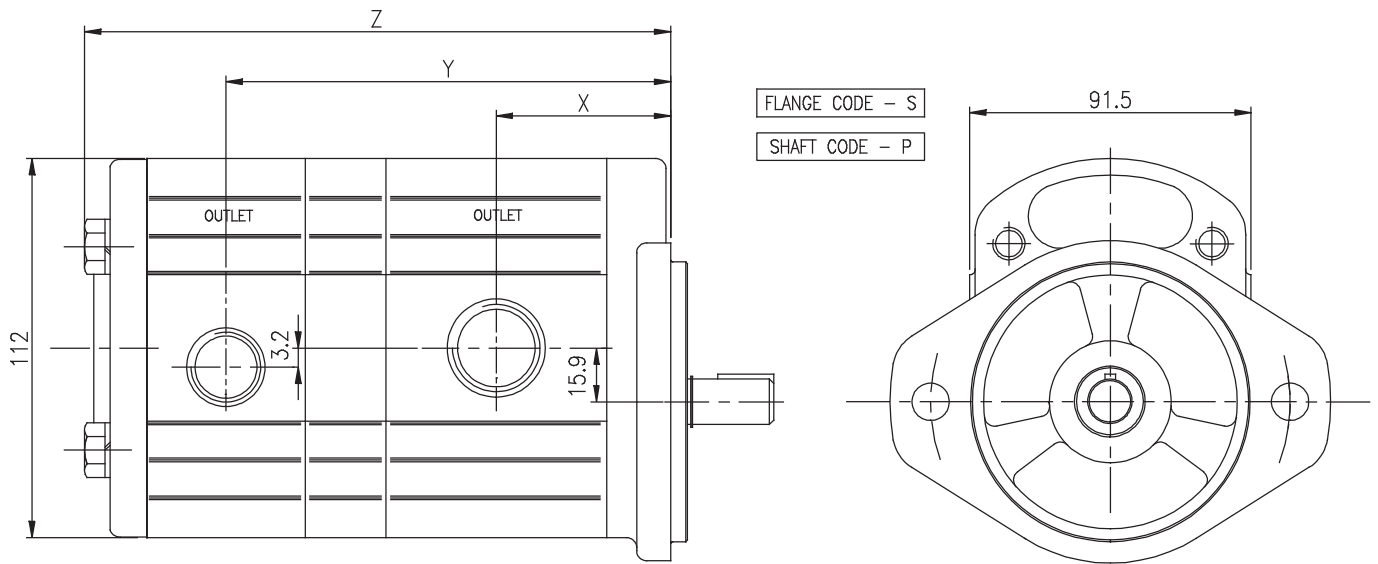


CROSS FRAME PUMP



1P - 0P CROSS FRAME PUMP SERIES

INSTALLATION DIMENSIONS



PUMP TYPE 1P - 0P	DIMENSIONS		
	X	Y	Z
3017-3003	41.8	108.6	147.7
3017-3004	"	109.0	148.6
3017-3006	"	109.6	149.7
3017-3008	"	110.3	151.2
3017-3011	"	111.3	153.2
3017-3013	"	112.0	154.5
3017-3015	"	112.7	155.9
3020-3003	42.6	110.1	149.3
3020-3004	"	110.6	150.1
3020-3006	"	111.1	151.3
3020-3008	"	111.9	152.7
3020-3011	"	112.9	154.7
3020-3013	"	113.5	156.1
3020-3015	"	114.2	157.4
3020-3019	"	115.4	159.8
3028-3003	44.1	113.2	152.3
3028-3004	"	113.6	153.2
3028-3006	"	114.2	154.3
3028-3008	"	114.9	155.8
3028-3011	"	115.9	157.8
3028-3013	"	116.6	159.1
3028-3015	"	117.3	160.5
3036-3003	45.7	116.3	155.4
3036-3004	"	116.7	156.3

PUMP TYPE 1P - 0P	DIMENSIONS		
	X	Y	Z
3036-3006	45.7	117.3	157.4
3036-3008	"	118.0	158.9
3036-3011	"	119.0	160.9
3036-3013	"	119.7	162.2
3036-3015	"	120.4	163.6
3036-3019	"	121.5	166.0
3036-3025	"	123.5	169.8
3044-3003	54.7	134.3	173.5
3044-3004	"	134.8	174.3
3044-3006	"	135.3	175.5
3044-3008	"	136.1	176.9
3044-3011	"	137.1	178.9
3044-3013	"	137.8	180.3
3044-3015	"	138.4	181.7
3044-3019	"	139.6	184.0
3044-3025	"	141.5	187.9
3052-3003	56.2	137.4	176.5
3052-3004	"	137.9	177.4
3052-3006	"	138.4	178.5
3052-3008	"	139.1	180.0
3052-3011	"	140.1	182.0
3052-3013	"	140.8	183.4
3052-3015	"	141.5	184.7
3060-3003	57.8	140.5	179.6

PUMP TYPE 1P - 0P	DIMENSIONS		
	X	Y	Z
3060-3004	57.8	140.9	180.5
3060-3006	"	141.5	181.6
3060-3008	"	142.2	183.1
3060-3011	"	143.2	185.1
3060-3013	"	143.9	186.4
3060-3015	"	144.6	187.8
3060-3019	"	145.7	190.2
3060-3025	"	147.7	194.0
3072-3003	60.1	145.1	184.2
3072-3004	"	145.5	185.1
3072-3006	"	146.1	186.2
3072-3008	"	146.8	187.7
3072-3011	"	147.8	189.7
3072-3013	"	148.5	191.0
3072-3015	"	149.2	192.4
3072-3019	"	150.3	194.8
3072-3025	"	152.3	198.6
3090-3003	63.4	151.7	190.9
3090-3004	"	152.2	191.7
3090-3006	"	152.7	192.9
3090-3008	"	153.4	194.3
3090-3011	"	154.4	196.3
3090-3013	"	155.1	197.7
3090-3015	"	155.8	199.1

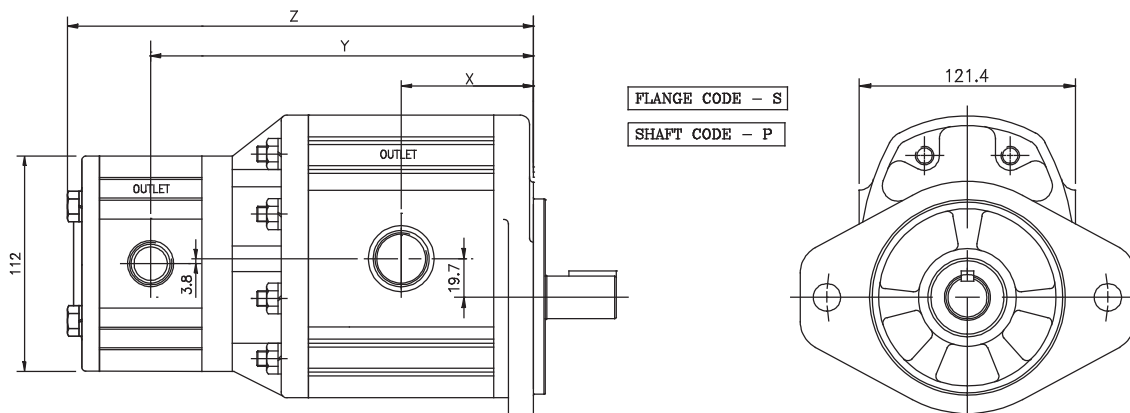
NOTE:

- The representation for the pump assembly drawing is for clockwise direction of shaft rotation as viewed from pump drive shaft end. For anti-clockwise rotation of pump shaft, the position of inlet & outlet ports will interchange.
- Unless otherwise specified, the dimension 'X' & 'Y' are identical for both inlet & outlet port positions

ALL DIMENSIONS ARE IN mm UNLESS OTHERWISE SPECIFIED

2P - 1P CROSS FRAME PUMP SERIES

INSTALLATION DIMENSIONS



PUMP TYPE 2P - 1P	DIMENSIONS		
	X	Y	Z
3220-3090	81.7	241.6	305.9
-3072	"	238.3	299.3
-3060	"	236.0	294.7
-3052	"	234.4	291.6
-3044	"	232.9	288.5
-3036	"	223.9	270.5
-3028	"	222.3	267.4
-3020	"	220.8	264.3
-3017	"	220.0	262.8
3158-3090	74.3	226.8	291.1
-3072	"	223.4	284.4
-3060	"	221.1	279.8
-3052	"	219.6	276.8
-3044	"	218.1	273.7
-3036	"	209.1	255.6
-3028	"	207.5	252.6
-3020	"	206.0	249.5
-3017	"	205.2	247.9
3146-3090	72.8	223.7	288.0
-3072	"	220.4	281.4
-3060	"	218.1	276.8
-3052	"	216.5	273.7
-3044	"	215.0	270.6
-3036	"	206.0	252.6
-3028	"	204.4	249.5
-3020	"	202.9	246.4
-3017	"	202.1	244.9
3120-3090	69.7	217.6	281.9
-3072	"	214.3	275.3
-3060	"	212.0	270.7
-3052	"	210.4	267.6
-3044	"	208.9	264.5
-3036	"	199.9	246.5

PUMP TYPE 2P - 1P	DIMENSIONS		
	X	Y	Z
3120-3028	69.7	198.3	243.4
-3020	"	196.8	240.3
-3017	"	196.0	238.8
3105-3090	67.9	213.9	278.2
-3072	"	210.6	271.6
-3060	"	208.3	267.0
-3052	"	206.8	263.9
-3044	"	205.2	260.8
-3036	"	196.2	242.8
-3028	"	194.6	239.7
-3020	"	193.1	236.6
-3017	"	192.3	235.1
3090-3090	59.1	196.4	260.7
-3072	"	193.1	254.1
-3060	"	190.8	249.5
-3052	"	189.2	246.4
-3044	"	187.7	243.3
-3036	"	178.7	225.3
-3028	"	177.1	222.2
-3020	"	175.6	219.1
-3017	"	174.8	217.6
3070-3060	56.7	185.9	244.7
-3052	"	184.4	241.6
-3044	"	182.9	238.5
-3036	"	173.8	220.4
-3028	"	172.3	217.4
-3020	"	170.8	214.3
-3017	"	170.0	212.7
3050-3044	54.3	178.0	233.7
-3036	"	169.0	215.6
-3028	"	167.5	212.5
-3020	"	165.9	209.5
-3017	"	165.2	207.9

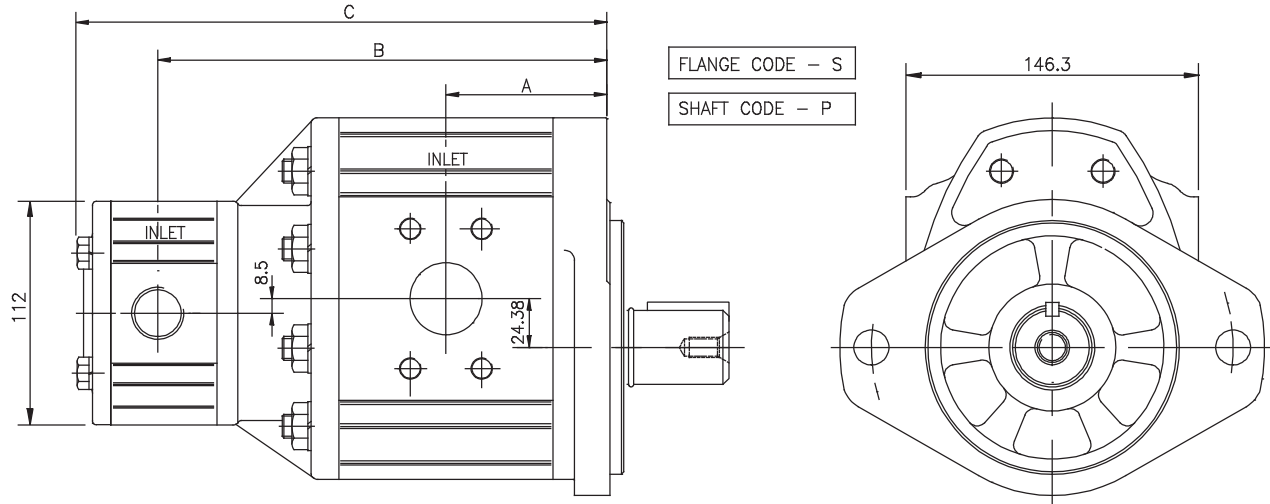
NOTE:

- The representation for the pump assembly drawing is for clockwise direction of shaft rotation as viewed from pump drive shaft end. For anti-clockwise rotation of pump shaft, the position of inlet & outlet ports will interchange.
- Unless otherwise specified, the dimension 'X' & 'Y' are identical for both inlet & outlet port positions

ALL DIMENSIONS ARE IN mm UNLESS OTHERWISE SPECIFIED

3P - 1P CROSS FRAME PUMP SERIES

INSTALLATION DIMENSIONS



PUMP TYPE 3P - 1P	DIMENSIONS		
	X	Y	Z
3150-3017	70.0	195.4	238.2
3150-3018	"	195.5	238.4
3150-3020	"	196.1	239.7
3150-3028	"	197.7	242.8
3150-3036	"	199.2	245.8
3150 3044	"	208.3	263.9
3150-3052	"	209.8	267.0
3150-3060	"	211.3	270.0
3150 3072	"	213.6	274.6
3150-3090	"	217.0	281.3
3180-3017	72.5	200.2	243.0
3180-3018	"	200.4	243.3
3180-3020	"	201.0	244.5
3180-3028	"	202.5	247.6
3180 3036	"	204.1	250.7
3180-3044	"	213.1	268.7
3180-3052	"	214.6	271.8
3180 3060	"	216.2	274.9
3180-3072	"	218.5	279.5
3180-3090	"	221.8	286.1
3210-3017	74.9	205.1	247.8
3210-3018	"	205.2	248.1
3210-3020	"	205.8	249.4
3210-3028	"	207.4	252.4
3210-3036	"	208.9	255.5
3210-3044	"	218.0	273.6
3210-3052	"	219.5	276.6
3210-3060	"	221.0	279.8
3210-3072	"	223.3	284.3
3210 3090	"	226.6	291.0

PUMP TYPE 3P - 1P	DIMENSIONS		
	X	Y	Z
3250-3017	78.1	211.4	254.2
3250-3018	"	211.6	254.5
3250-3020	"	212.2	255.7
3250-3028	"	213.7	258.1
3250-3036	"	215.3	261.9
3250-3044	"	224.3	280.0
3250-3052	"	225.8	283.0
3250-3060	"	227.4	286.1
3250-3072	"	229.7	290.7
3250-3090	"	233.0	297.4
3300-3017	82.0	219.3	262.1
3300-3018	"	219.5	262.4
3300-3020	"	220.1	263.6
3300-3028	"	221.6	266.7
3300-3036	"	223.2	269.8
3300-3044	"	232.2	287.8
3300-3052	"	233.7	290.9
3300-3060	"	235.3	294.0
3300-3072	"	237.6	298.6
3300-3090	"	240.9	305.2
3330-3017	84.6	224.5	267.2
3330-3018	"	224.6	267.5
3330-3020	"	225.3	268.8
3330-3028	"	226.8	271.9
3330-3036	"	228.3	274.9
3330-3044	"	237.4	293.0
3330-3052	"	238.9	296.1
3330-3060	"	240.4	299.1
3330-3072	"	242.7	303.7
3330-3090	"	246.1	310.4

PUMP TYPE 3P - 1P	DIMENSIONS		
	X	Y	Z
3380-3017	88.6	232.5	275.3
3380-3018	"	232.7	275.6
3380 3020	"	233.3	276.8
3380-3028	"	234.8	279.9
3380-3036	"	236.4	282.9
3380 3044	"	245.4	301.0
3380 3052	"	246.9	304.1
3380-3060	"	248.5	307.2
3380 3072	"	250.8	311.8
3380-3090	"	254.1	318.4
3500-3017	98.9	253.0	295.8
3500-3018	"	253.2	296.1
3500-3020	"	253.8	297.3
3500-3028	"	255.3	300.4
3500 3036	"	256.9	303.5
3500-3044	"	265.9	321.5
3500-3052	"	267.4	324.6
3500 3060	"	269.0	327.7
3500-3072	"	271.3	332.3
3500-3090	"	274.6	338.9

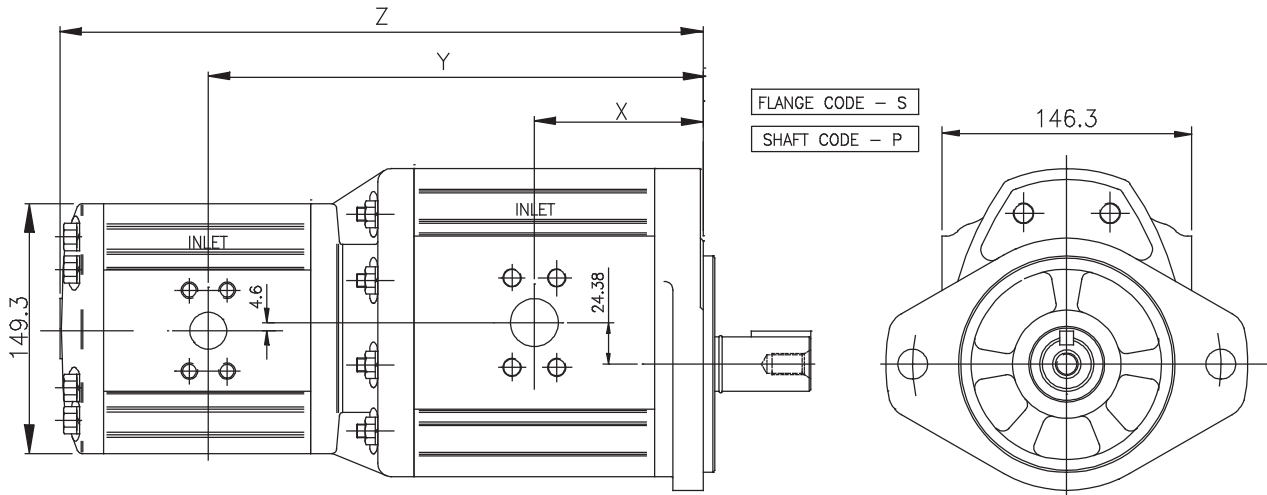
NOTE:

- The representation for the pump assembly drawing is for anti-clockwise direction of shaft rotation as viewed from pump drive shaft end. For clockwise rotation of pump shaft, the position of inlet & outlet ports will interchange.
- Unless otherwise specified, the dimension 'A' & 'B' are identical for both inlet & outlet port positions

ALL DIMENSIONS ARE IN mm UNLESS OTHERWISE SPECIFIED

3P - 2P CROSS FRAME PUMP SERIES

INSTALLATION DIMENSIONS



PUMP TYPE 3P - 2P	DIMENSIONS		
	X	Y	Z
3500-3220	98.9	290.4	376.2
-3158	"	283.0	361.4
-3146	"	281.4	358.3
-3120	"	278.4	352.2
-3105	"	276.5	348.5
-3090	"	267.8	331.0
-3070	"	265.4	326.2
-3050	"	263.0	321.4
3380-3220	88.6	269.9	355.7
-3158	"	262.5	340.9
-3146	"	260.9	337.8
-3120	"	257.9	331.7
-3105	"	256.0	328.0
-3090	"	247.3	310.5
-3070	"	244.9	305.7
-3050	"	242.4	300.8
3330-3220	84.6	261.9	347.7
-3158	"	254.4	332.9
-3146	"	252.9	329.8
-3120	"	249.9	323.7
-3105	"	248.0	320.0
-3090	"	239.2	302.5
-3070	"	236.8	297.7
-3050	"	234.4	292.8
3300-3220	82.0	256.7	342.5
-3158	"	249.3	327.7
-3146	"	247.7	324.6
-3120	"	244.7	318.5
-3105	"	242.8	314.8
-3090	"	234.0	297.3
-3070	"	231.7	292.5
-3050	"	229.3	287.7

PUMP TYPE 3P - 2P	DIMENSIONS		
	X	Y	Z
3250-3220	78.1	248.8	334.6
-3158	"	241.4	319.8
-3146	"	239.8	316.7
-3120	"	236.8	310.6
-3105	"	234.9	306.9
-3090	"	226.2	289.4
-3070	"	223.7	284.6
-3050	"	221.4	279.8
3210-3158	74.9	235.0	313.4
-3146	"	233.5	310.4
-3120	"	230.4	304.3
-3105	"	228.6	300.6
-3090	"	219.8	283.1
-3070	"	217.4	278.2
-3050	"	215.0	273.4
3180-3158	72.5	230.2	308.6
-3146	"	228.6	305.5
-3120	"	225.6	299.4
-3105	"	223.8	295.7
-3090	"	215.0	278.2
-3070	"	213.6	273.4
-3050	"	210.2	268.6
3150-3146	70.0	223.8	300.7
-3120	"	220.7	294.6
-3105	"	218.9	290.9
-3090	"	210.1	273.4
-3070	"	207.7	268.5
-3050	"	205.3	263.7

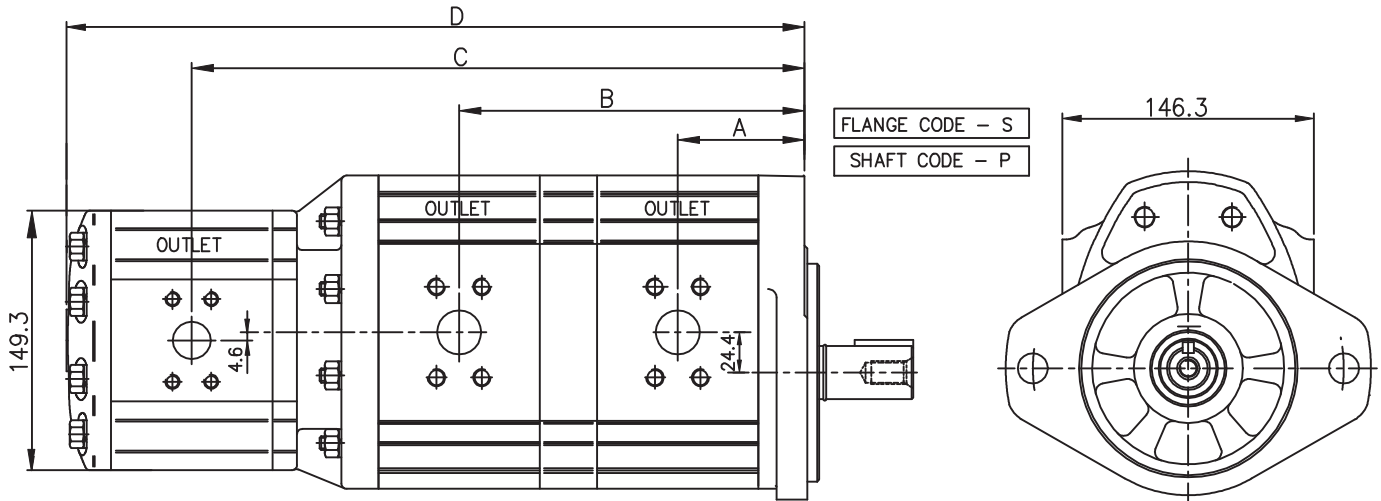
NOTE:

- The representation for the pump assembly drawing is for anti-clockwise direction of shaft rotation as viewed from pump drive shaft end. For clockwise rotation of pump shaft, the position of inlet & outlet ports will interchange.
- Unless otherwise specified, the dimension 'X' & 'Y' are identical for both inlet & outlet port positions

ALL DIMENSIONS ARE IN mm UNLESS OTHERWISE SPECIFIED

3P - 3P - 2P CROSS FRAME PUMP SERIES

INSTALLATION DIMENSIONS



Sl. No.	PUMP TYPE 3P - 3P - 3P	DIMENSIONS			
		A	B	C	D
01	3P 3P 2P 3150 3150 3120	70.0	193.8	344.5	418.3
02	3P 3P 2P 3150 3150 3090	70.0	193.8	334.0	397.1
03	3P 3P 2P 3180 3180 3050	72.5	201.1	338.8	397.2
04	3P 3P 2P 3180 3180 3070	72.5	201.1	341.2	402.0
05	3P 3P 2P 3210 3210 3070	74.8	208.3	350.9	411.7
06	3P 3P 2P 3210 3210 3090	74.8	208.3	353.3	416.5
07	3P 3P 2P 3210 3210 3105	74.8	208.3	362.0	434.0
08	3P 3P 2P 3210 3210 3146	74.8	208.3	366.9	443.8
09	3P 3P 2P 3250 3250 3090	78.0	217.9	366.0	429.2
10	3P 3P 2P 3330 3330 3158	84.6	237.6	407.3	485.7
11	3P 3P 2P 3380 3180 3050	88.6	233.4	371.0	429.5

NOTE:

- The representation for the pump assembly drawing is for clockwise direction of shaft rotation as viewed from pump drive shaft end. For anti-clockwise rotation of pump shaft, the position of inlet & outlet ports will interchange.
- Unless otherwise specified, the dimension 'A', 'B' & 'C' are identical for both inlet & outlet port positions

ALL DIMENSIONS ARE IN mm UNLESS OTHERWISE SPECIFIED