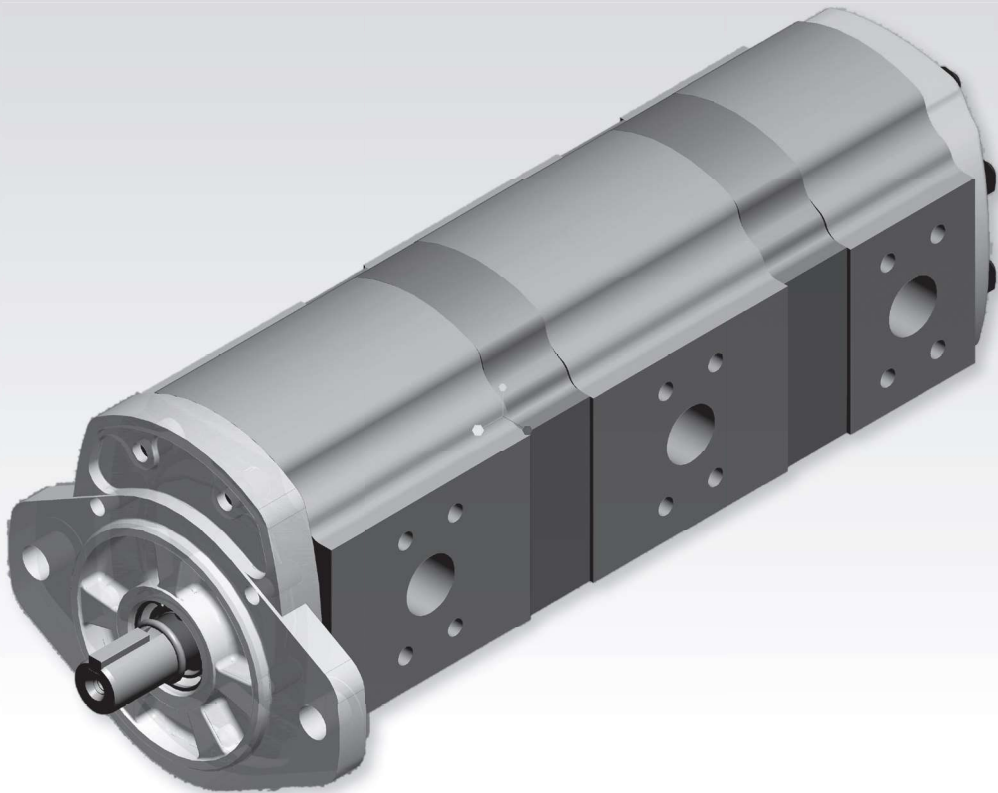
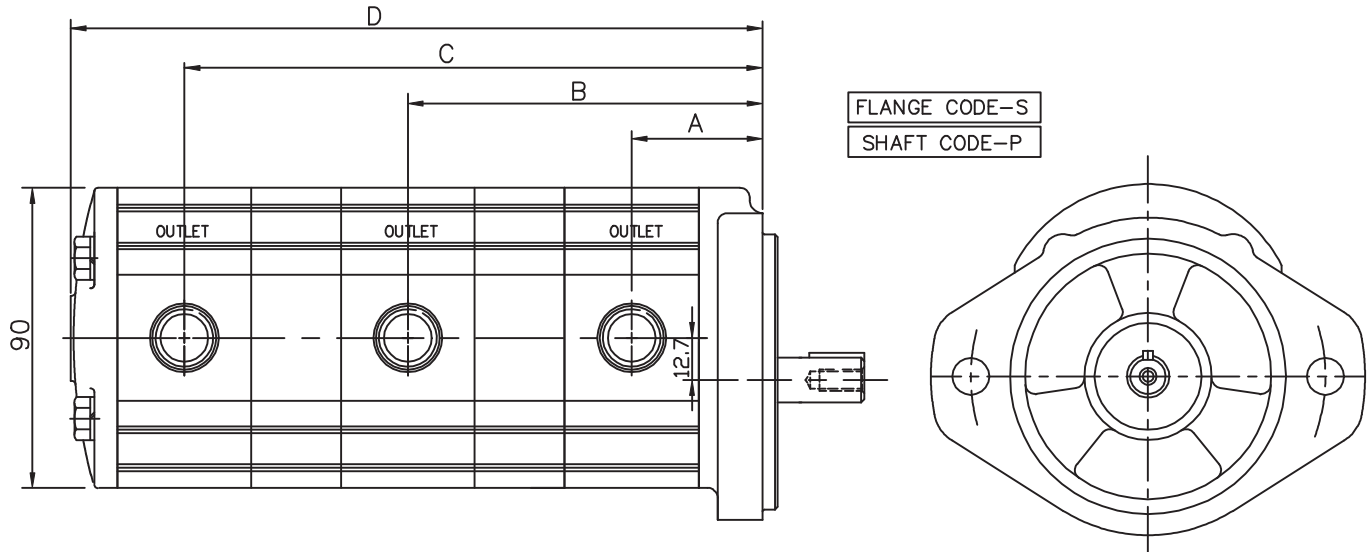


TRIPLE TANDEM PUMP



OP - OP - OP TRIPLE PUMP SERIES

INSTALLATION DIMENSIONS



PUMP TYPE OP - OP - OP	DIMENSIONS			
	A	B	C	D
3003-3003-3003	38.1	101.8	165.5	203.6
3004-3004-3004	38.6	103.1	167.6	206.2
3006-3006-3006	39.1	104.8	170.4	209.5
3006-3006-3011	39.1	104.3	172.1	213.0
3008-3008-3008	39.9	107.0	174.1	214.0
3008-3008-3015	39.9	107.0	176.5	218.7
3011-3011-3011	40.9	110.0	179.0	219.9
3011-3011-3006	40.9	110.0	177.3	216.4
3013-3013-3013	41.6	112.0	182.5	224.0
3013-3013-3008	41.6	112.0	180.8	220.6
3015-3015-3015	42.3	114.0	186.0	228.3
3015-3006-3004	42.3	111.0	176.1	214.7

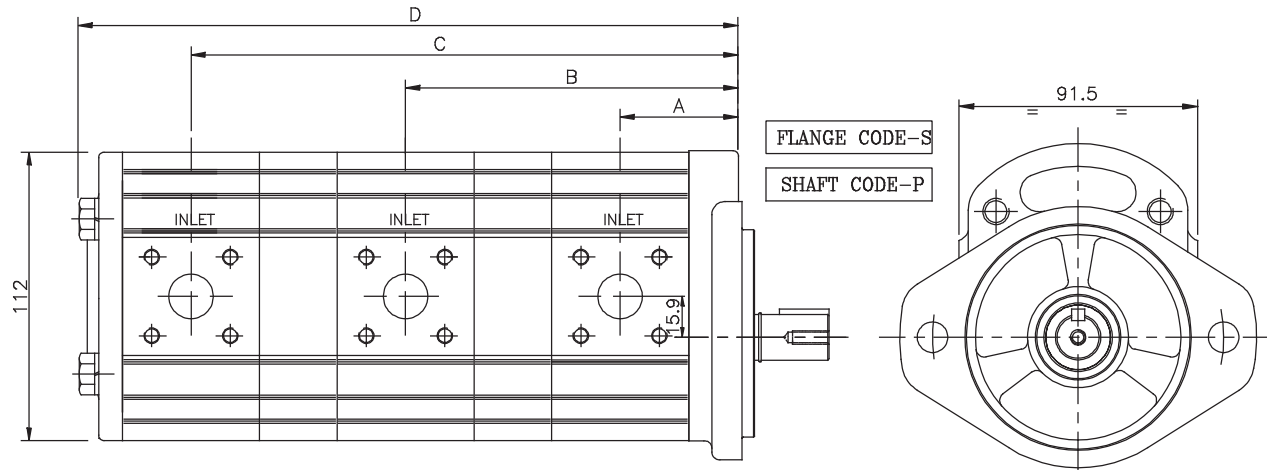
NOTE:

- The representation for the pump assembly drawing is for clockwise direction of shaft rotation as viewed from pump drive shaft end. For anti-clockwise rotation of pump shaft, the position of inlet & outlet ports will interchange.
- Unless otherwise specified, the dimension 'A', 'B', & 'C' are identical for both inlet & outlet port positions

ALL DIMENSIONS ARE IN mm UNLESS OTHERWISE SPECIFIED

1P - 1P - 1P TRIPLE PUMP SERIES

INSTALLATION DIMENSIONS



PUMP TYPE 1P - 1P - 1P	DIMENSIONS			
	A	B	C	D
3017-3017-3017	41.8	117.3	192.8	235.6
3028-3020-3017	44.1	122.7	199.0	241.8
3028-3020-3020	"	122.7	199.8	243.3
3028-3028-3028	"	124.2	204.4	249.5
3036-3017-3017	45.6	125.0	200.5	243.3
3036-3020-3020	"	125.8	202.9	246.4
3036-3028-3017	"	127.3	205.2	247.9
3036-3028-3020	"	127.3	205.9	249.5
3036-3036-3028	"	128.8	210.5	255.6
3036-3036-3020	"	128.8	209.0	252.5
3036-3036-3036	"	128.8	212.0	258.7
3044-3028-3017	54.7	145.4	223.2	266.0
3044-3044-3028	"	156.0	246.7	291.7
3044-3044-3044	"	156.0	257.2	312.8
3052-3036-3036	56.2	150.0	233.2	279.8
3052-3044-3017	"	159.0	247.4	290.2
3052-3052-3017	"	160.5	250.4	293.2
3052-3052-3028	"	160.5	252.8	297.9
3052-3052-3052	"	160.5	264.9	322.1
3060-3017-3017	57.7	149.2	224.7	267.5
3060-3028-3017	"	151.3	229.3	272.1
3060-3052-3028	"	163.6	255.9	301.0
3060-3060-3052	"	165.1	271.1	328.2
3060-3060-3060	"	165.1	272.6	331.3
3072-3036-3036	60.1	157.7	240.9	287.5
3072-3072-3060	"	172.1	281.8	340.5
3072-3072-3072	"	172.1	284.1	341.5
3090-3017-3017	63.4	160.5	236.0	278.8
3090-3036-3020	"	164.3	244.5	288.0
3090-3090-3090	"	182.0	300.7	365.0

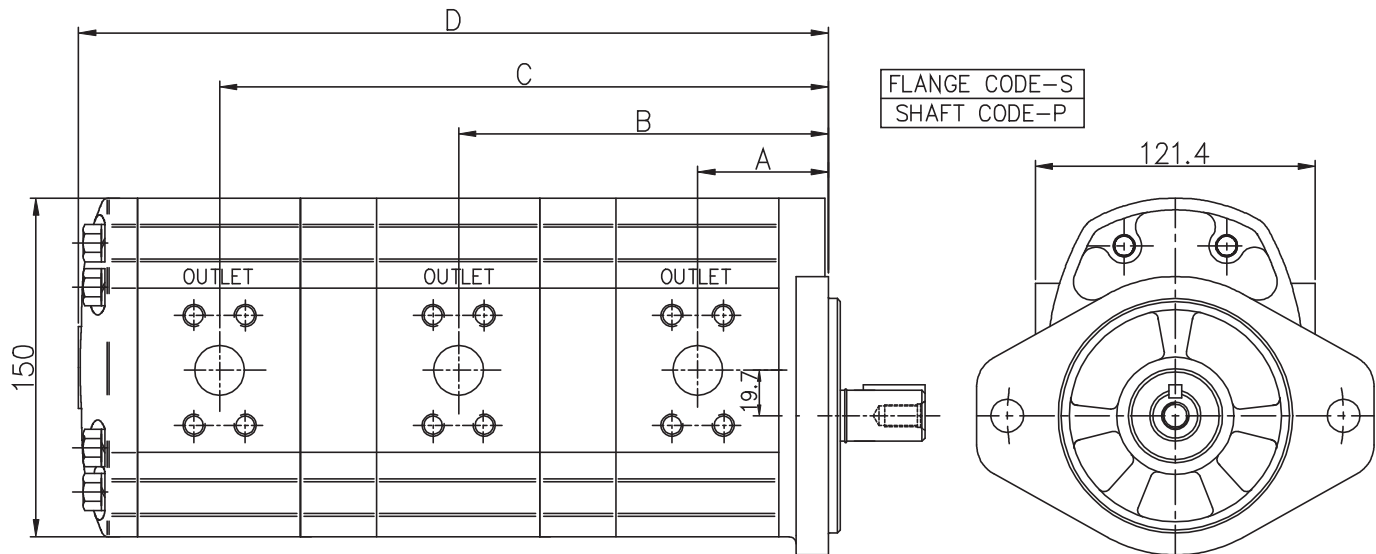
NOTE:

- The representation for the pump assembly drawing is for anti-clockwise direction of shaft rotation as viewed from pump drive shaft end. For clockwise rotation of pump shaft, the position of inlet & outlet ports will interchange.
- Unless otherwise specified, the dimension 'A', 'B', & 'C' are identical for both inlet & outlet port positions

ALL DIMENSIONS ARE IN mm UNLESS OTHERWISE SPECIFIED

2P - 2P - 2P TRIPLE PUMP SERIES

INSTALLATION DIMENSIONS



PUMP TYPE 2P - 2P - 2P	DIMENSIONS			
	A	B	C	D
3070 3070 3050	56.7	159.9	260.7	319.1
3090 3070 3070	59.1	164.7	268.0	328.8
3090 3090 3090	59.1	167.1	275.2	338.4
3105 3105 3090	67.9	193.4	310.3	373.5
3120 3050 3050	69.7	183.5	282.0	340.3
3120 3070 3050	69.7	186.0	286.8	345.2
3120 3070 3070	69.7	186.0	289.2	350.0
3120 3120 3050	69.7	199.0	312.8	371.2
3120 3120 3070	69.7	199.0	315.2	376.0
3120 3120 3120	69.7	199.0	328.2	402.1
3146 3146 3050	72.8	208.1	325.0	383.4
3146 3146 3090	72.8	208.1	329.8	393.0
3146 3105 3105	72.8	203.2	328.8	400.8
3146 3146 3146	72.8	208.1	343.5	420.3
3158 3158 3158	74.3	212.7	351.1	429.6
3220 3105 3105	81.7	221.1	346.7	418.7
3220 3220 3146	81.7	235.0	379.3	456.2

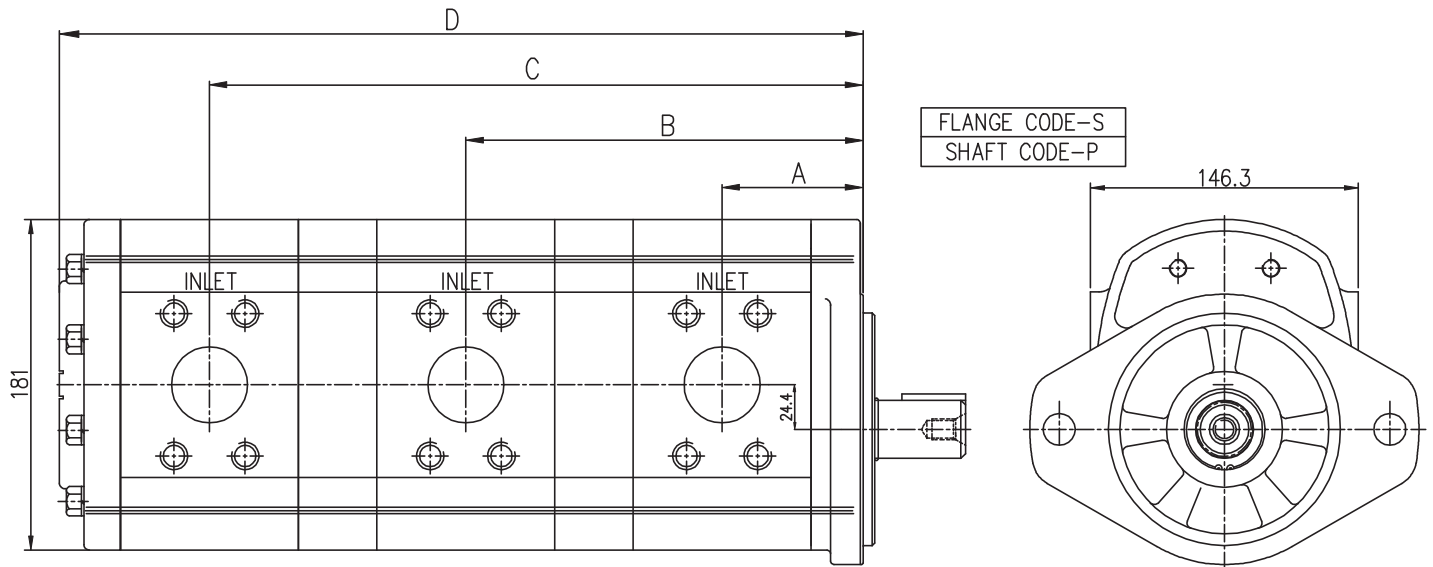
NOTE:

- The representation for the pump assembly drawing is for clockwise direction of shaft rotation as viewed from pump drive shaft end. For anti-clockwise rotation of pump shaft, the position of inlet & outlet ports will interchange.
- Unless otherwise specified, the dimension 'A', 'B', & 'C' are identical for both inlet & outlet port positions

ALL DIMENSIONS ARE IN mm UNLESS OTHERWISE SPECIFIED

3P - 3P - 3P TRIPLE PUMP SERIES

INSTALLATION DIMENSIONS



PUMP TYPE 3P - 3P - 3P	DIMENSIONS			
	A	B	C	D
3150 3150 3150	70.0	193.8	317.5	392.6
3210 3210 3150	74.8	208.3	336.9	412.0
3210 3210 3180	74.8	208.3	339.3	416.8
3250 3250 3150	78.0	217.8	349.6	424.7
3250 3250 3250	78.0	217.8	357.6	440.7
3300 3210 3180	82.0	222.5	353.6	431.1
3300 3300 3150	82.0	229.7	365.4	440.5
3300 3300 3210	82.0	229.7	370.2	450.2
3330 3250 3210	84.6	230.9	367.5	447.4
3330 3330 3180	84.6	737.4	378.7	455.7
3330 3330 3250	84.6	237.4	383.8	466.9
3330 3330 3330	84.6	237.4	390.3	480.0
3380 3180 3150	88.6	233.3	359.5	434.6
3380 3180 3180	88.6	233.3	361.9	439.4
3380 3300 3210	88.6	242.9	383.4	463.3
3380 3330 3250	88.6	245.4	391.8	474.9
3380 3380 3210	88.6	249.5	396.6	476.5
3380 3380 3250	88.6	249.5	399.8	482.9
3380 3380 3380	88,6	249,5	410,3	504.0
3500 3500 3210	98.8	280.2	437.6	517.6
3500 3500 3250	98.8	280.2	440.8	523.9
3500 3500 3500	98.8	280.2	461.6	565.5

NOTE:

- The representation for the pump assembly drawing is for anti-clockwise direction of shaft rotation as viewed from pump drive shaft end. For clockwise rotation of pump shaft, the position of inlet & outlet ports will interchange.
- Unless otherwise specified, the dimension 'A', 'B', & 'C' are identical for both inlet & outlet port positions

ALL DIMENSIONS ARE IN mm UNLESS OTHERWISE SPECIFIED



This page has been intentionally left blank