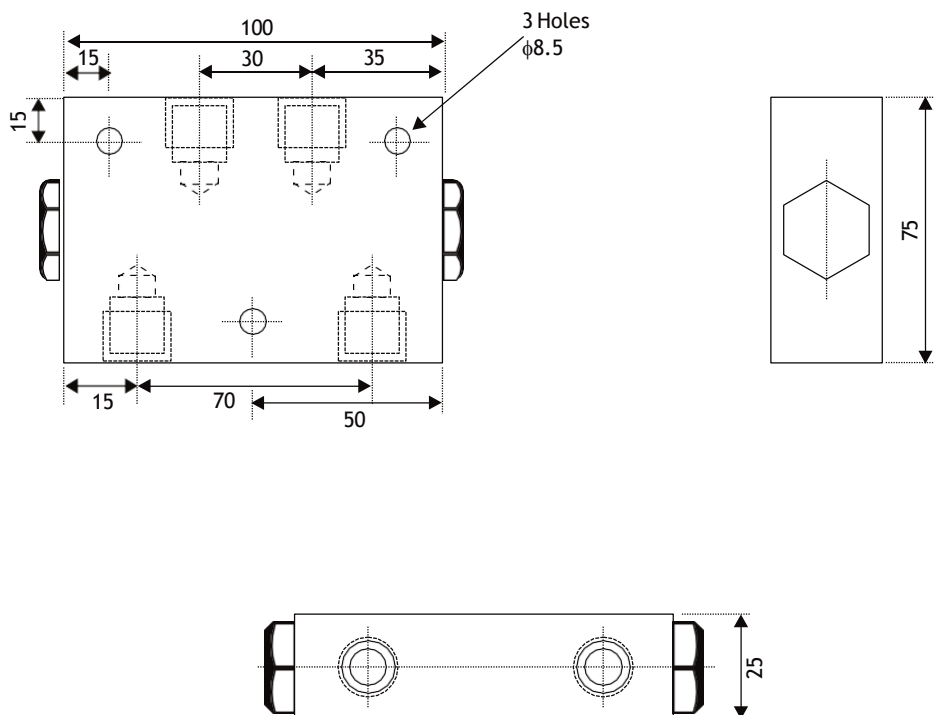




## DOUBLE PILOT CHECK VALVE (MODEL: DPCV - 03T)



- Extruded Aluminium alloy body.
- Internal parts are hardened steel.
- Maximum flow rate is 30 LPM.
- Maximum working pressure tested to 210 Kg/cm<sup>2</sup>.
- Ratio is 4:1.
- Ports are 3/8" NPT or 1/2" BSPT.
- These valves are used to block the cylinder in both directions. Flow is free in one direction and blocked in the reverse direction until pilot pressure is applied.
- Ball and seat mechanism is used in operation.
- The directional valve cylinder ports should be connected to the tank in the center condition.