

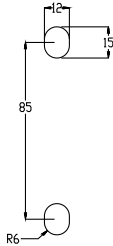
FILTER - TANK IMMERSED - RPF B



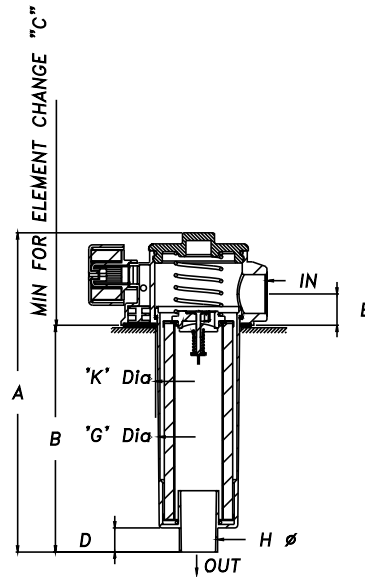
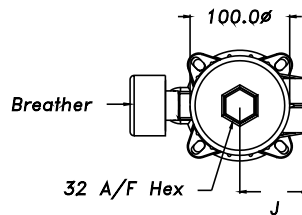
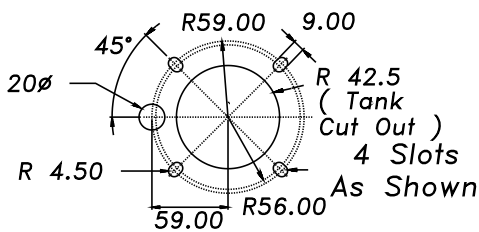
- DIRECT TANK MOUNTING
- PRESSURE - MAX. 7 BAR / TEST 12 BAR / BURST 16 BAR
- ALUMINIUM / PLASTIC CONSTRUCTION
- 4 SIZES FLOW TO 150 LPM
- BREATHER INCLUDED
- BY PASS STANDARD 1 BAR
- SUITABLE FOR MINERAL / PETROLEUM BASED OILS
- MAX. TEMP 80°C



RPF-04-Tank Cut Out



Tank Cut Out



MODEL NO	THDS	A	B	C	D	E	G Φ	H Φ	J	K Tank Cut Out
RPFB - 04	1 / 2" BSPP	245.00	180.00	350.00	18.00	24.00	59.00	27.50	50.00	63.00 ^{+2.8}
RPFB - 06	3/4" BSPP	311.00	230.00	350.00	24.00	32.00	80.00	38.00	68.00	84.00 ^{+2.8}
RPFB - 08	1" BSPP	311.00	230.00	350.00	24.00	32.00	80.00	38.00	68.00	84.00 ^{+2.8}
RPFB - 10	1- 1/4" BSPP	392.00	311.00	405.00	24.00	32.00	80.00	38.00	68.00	84.00 ^{+2.8}