

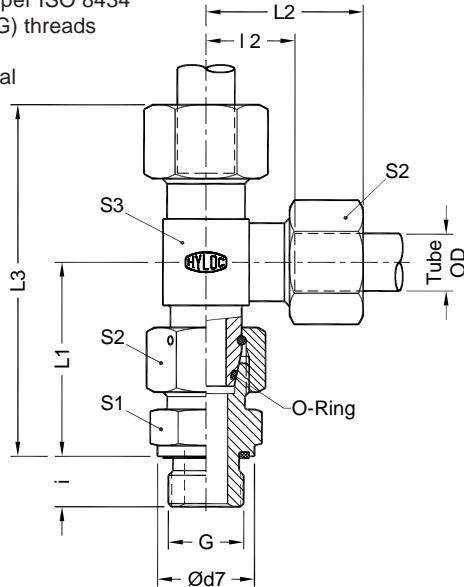
Swivel Stud Barrel Tee Couplings with O-Ring

EL-GE

Dimensions in mm

DIN Fittings

Metric Tube end as per ISO 8434
Male Stud - BSPP (G) threads
DIN 3852-Part 11,
with Elastomeric seal



Part No.	Series	Tube od	G Male BSP thread	Ød7	i	I 2	* L1	* L2	* L3	S1	S2	S3	
EL06PLGE	Light L 315 bar	6	G 1/8	14	8	12.0	34.5	27.5	62.0	14	14	12	
EL08PLGE		8	G 1/4	19	12	14.0	37.5	29.0	66.5	19	17	14	
EL10PLGE		10	G 1/4	19	12	15.0	40.0	30.5	70.5	19	19	17	
EL12PLGE		12	G 3/8	22	12	17.0	42.0	32.0	74.0	22	22	19	
EL15PLGE		15	G 1/2	27	14	21.0	46.5	37.0	83.5	27	27	22	
EL18PLGE		18	G 1/2	27	14	23.5	50.0	40.5	90.5	27	32	27	
EL22PLGE	160 bar	22	G 3/4	32	16	27.5	55.0	44.5	99.5	32	36	30	
EL28PLGE		28	G 1	40	18	30.5	59.0	48.5	107.5	41	41	36	
EL35PLGE		35	G1.1/4	50	20	34.5	68.5	57.5	126.0	50	50	46	
EL42PLGE		42	G1.1/2	55	22	40.0	75.0	63.5	138.5	55	60	55	
EL06PSGE		Heavy S 630 bar	6	G 1/4	19	12	16.0	40.0	31.5	71.5	19	17	14
EL08PSGE	8		G 1/4	19	12	17.0	42.5	32.0	74.5	19	19	17	
EL10PSGE	10		G 3/8	22	12	17.5	45.0	34.5	79.5	22	22	19	
EL12PSGE	12		G 3/8	22	12	21.5	48.0	38.0	86.0	22	24	22	
EL16PSGE	400 bar		16	G 1/2	27	14	24.5	55.0	43.5	98.5	27	30	24
EL20PSGE			20	G 3/4	32	16	26.5	65.0	49.0	114.0	32	36	30
EL25PSGE			25	G 1	40	18	30.0	73.0	55.0	128.0	41	46	36
EL30PSGE			30	G1.1/4	50	20	35.5	78.5	63.5	142.0	50	50	46
EL38PSGE			315 bar	38	G1.1/2	55	22	41.0	89.0	72.5	161.5	55	60

* Dimensions given are approx figures with tightened nut.

65