

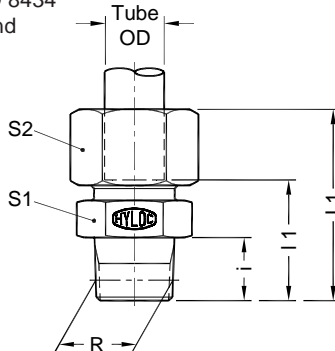
Straight Male Stud Couplings

GE-R

Dimensions in mm

DIN Fittings

Metric Tube end as per ISO 8434
Male BSP Taper (R) stud end



* Dimensions given are approx figures with tightened nut.

Part No.	Series	Tube od	R Male BSPT thread	i	l1	* L1	S1	S2
GE06PLR	Light L 250 bar	6	R 1/8	7.5	14.5	30	14	14
GE06PLR02		6	R 1/4	11	18	33.5	14	14
GE08PLR		8	R 1/4	11	19	34	17	17
GE10PLR		10	R 1/4	11	20	35.5	17	19
GE12PLR02		12	R 1/4	11	20	35	19	22
GE12PLR		12	R 3/8	11.5	20.5	35.5	19	22
GE12PLR04		12	R 1/2	15	25	40	22	22
GE15PLR		15	R 1/2	15	26	42	24	27
GE18PLR	160bar	18	R 1/2	15	26.5	43.5	27	32
GE22PLR		22	R 3/4	16.5	30	47	32	36
GE28PLR	100 bar	28	R 1	19	33.5	51.5	41	41
GE35PLR		35	R1.1/4	21.5	35	58	46	50
GE42PLR		42	R1.1/2	21.5	37.5	61	55	60
GE06PSR	Heavy S 630 bar	6	R 1/4	11	22	37.5	17	17
GE08PSR		8	R 1/4	11	22	37	17	19
GE10PSR02		10	R 1/4	11	23.5	40.5	19	22
GE10PSR		10	R 3/8	11.5	24	41	19	22
GE12PSR02		12	R 1/4	11	25.5	42	22	24
GE12PSR		12	R 3/8	11.5	26	42.5	22	24
GE12PSR04		12	R 1/2	15	29.5	46	22	24
GE16PSR	400 bar	16	R 1/2	15	30.5	49.5	27	30
GE20PSR		20	R 3/4	16.5	34	56.5	32	36
GE25PSR		25	R 1	19	39	64	41	46
GE30PSR	250 bar	30	R1.1/4	21.5	42	70	46	50
GE38PSR		38	R1.1/2	21.5	44.5	76	55	60