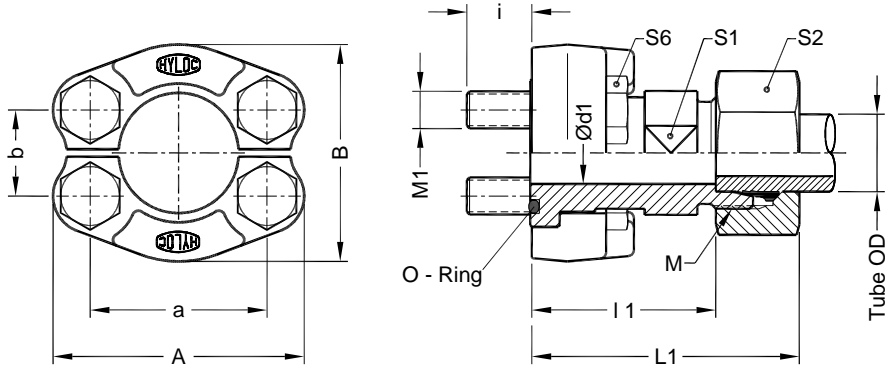


Tube connections as per ISO 8434
 Mounting Interface conforms to ISO 6162
 Seal Material : NBR 90 Shore



Standard Pressure Series (Code 61)

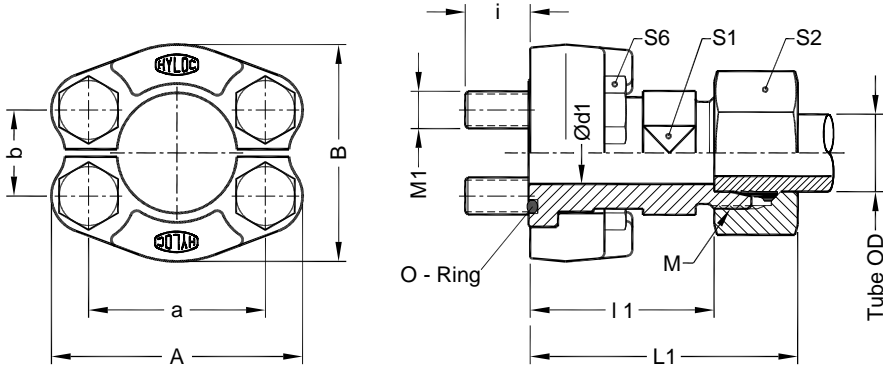
Part No.	Nom size	Tube o.d.	A	a	B	b	M	S6	i	Split Flange	O - Ring ID x CSD	M1 Hex. bolts (10.9)
GFS3215PL	1/2	15	54	38.1	46	17.5	M22x1.5	13	12	SFS04	19.0 x 3.55	M8 x 25
GFS3216PS		16					M24x1.5					
GFS3318PL	3/4	18	65	47.6	52	22.3	M26x1.5	17	16	SFS06	25.0 x 3.55	M10 x 30
GFS3322PL		22					M30x2.0					
GFS3320PS		20					M30x2.0					
GFS3325PS		25					M36x2.0					
GFS3428PL	1	28	70	52.4	59	26.2	M36x2.0	17	14	SFS08	32.5 x 3.55	M10 x 30
GFS3430PS		30					M42x2.0					
GFS3535PL	1 1/4	35	79	58.7	73	30.2	M45x2.0	17	16	SFS10	37.5 x 3.55	M10 x 30
GFS3525PS		25					M36x2.0					
GFS3530PS		30					M42x2.0					
GFS3538PS		38					M52x2.0					
GFS3642PL	1 1/2	42	94	69.9	83	35.7	M52x2.0	19	19	SFS12	47.5 x 3.55	M12 x 35
GFS3638PS		38					M52x2.0					
Part No.	Nom size	Tube o.d.	PB bar	Ø d1	l1	L 1 *	S1	S2				
GFS3215PL	1/2	15	315	12	41.0	57.0	24	27				
GFS3216PS		16	350	12	41.5	60.5	24	30				
GFS3318PL	3/4	18	315	15	45.5	62.5	30	32				
GFS3322PL		22	160	19	45.5	62.5	30	36				
GFS3320PS		20	350	16	46.5	69.0	30	36				
GFS3325PS		25	350	17	45.0	70.0	30	46				
GFS3428PL	1	28	160	24	46.5	64.5	36	41				
GFS3430PS		30	350	24	49.5	77.5	36	50				
GFS3535PL	1 1/4	35	160	30	47.5	70.5	41	50				
GFS3525PS		25	280	20	48.0	73.0	41	46				
GFS3530PS		30	280	25	48.5	76.5	41	50				
GFS3538PS		38	280	28	50.0	81.5	46	60				
GFS3642PL	1 1/2	42	160	36	53.0	76.5	46	60				
GFS3638PS		38	210	32	54.0	85.5	46	60				

* Dimensions given are approx figures with tightened nut.

Dimensions in mm

DIN Fittings

Tube connections as per ISO 8434
 Mounting Interface conforms to ISO 6162
 Seal Material : NBR 90 Shore



High Pressure Series (Code 62)

Part No.	Nom size	Tube o.d.	A	a	B	b	M	S6	i	Split Flange	O - Ring ID x CSD	M1 Hex. bolts (10.9)			
GFS6216PS	1/2	16	56	40.5	48	18.2	M24 x 1.5	13	14	SFH04	19.0 x 3.55	M8 x 30			
GFS6316PS	3/4	16	71	50.8	60	23.8	M24 x 1.5	17	16	SFH06	25.0 x 3.55	M10 x 35			
GFS6320PS		M30 x 2.0													
GFS6325PS		M36 x 2.0													
GFS6425PS	1	25	81	57.2	70	27.8	M36 x 2.0	19	21	SFH08	32.5 x 3.55	M12 x 45			
GFS6430PS		M42 x 2.0													
GFS6530PS	1 1/4	30	95	66.6	78	31.8	M42 x 2.0	19	18	SFH10	37.5 x 3.55	M12 x 45			
GFS6538PS		M52 x 2.0													
GFS6638PS	1 1/2	38	113	79.3	95	36.5	M52 x 2.0	24	25	SFH12	47.5 x 3.55	M16 x 55			
Part No.	Nom size	Tube o.d.	PB bar	Ø d1	l 1	L 1*	S1	S2							
GFS6216PS	1/2	16	400	12	44.5	60.5	24	30							
GFS6316PS	3/4	16	400	12	50.5	67.5	30	30							
GFS6320PS		20							16	50.5	67.5	30	36		
GFS6325PS		25							17	51.0	68.0	30	46		
GFS6425PS	1	25	400	20	60.0	78.0	36	46							
GFS6430PS		30							24	60.5	88.5	36	50		
GFS6530PS	1 1/4	30	400	25	65.5	88.5	41	50							
GFS6538PS		38							30	67.0	92.0	41	60		
GFS6638PS	1 1/2	38	315	30	73.0	96.5	46	60							

*Dimensions given are approx figures with tightened nut.