



SHUTTLE VALVE SL

ENGINEERING

1

Ref. No. P03875
Release 06/2004

Description

Seat type construction.

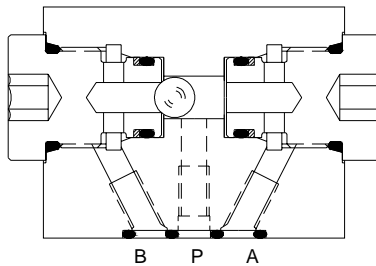
Automatically connects its P port to either A or B depending upon whichever of two ports is at higher pressure level.

Isolates port A and port B from each other.

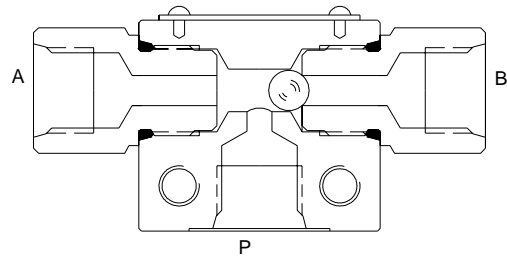
Port P can be connected to tank only if port A and port B are connected to tank.



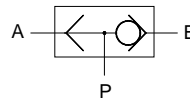
Section



Subplate type



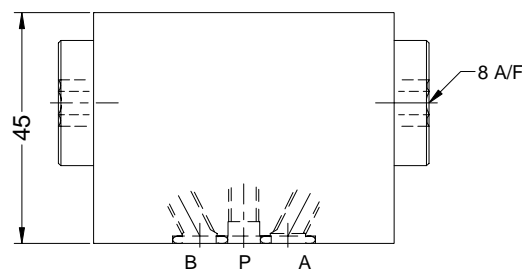
Threaded type



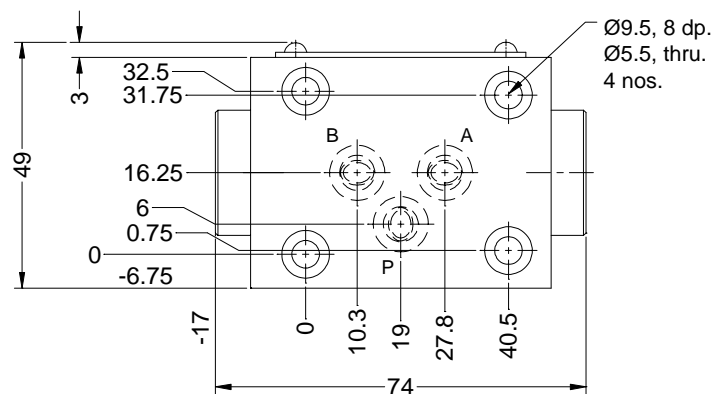
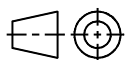
Hydraulic symbol

Unit dimension

Subplate type

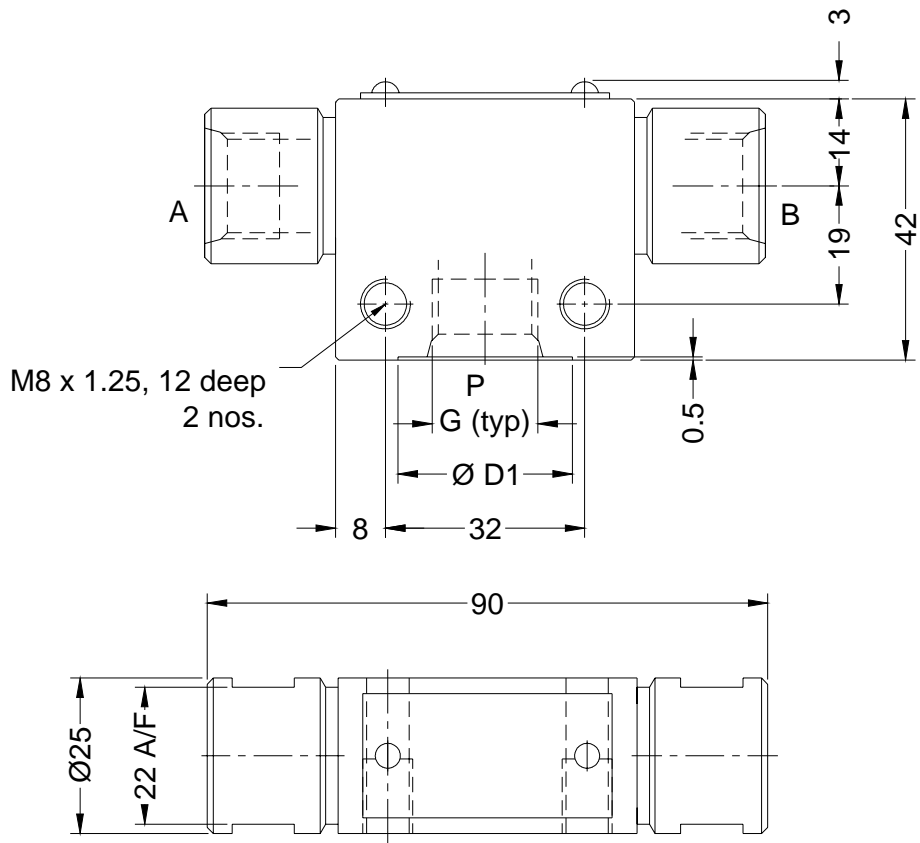
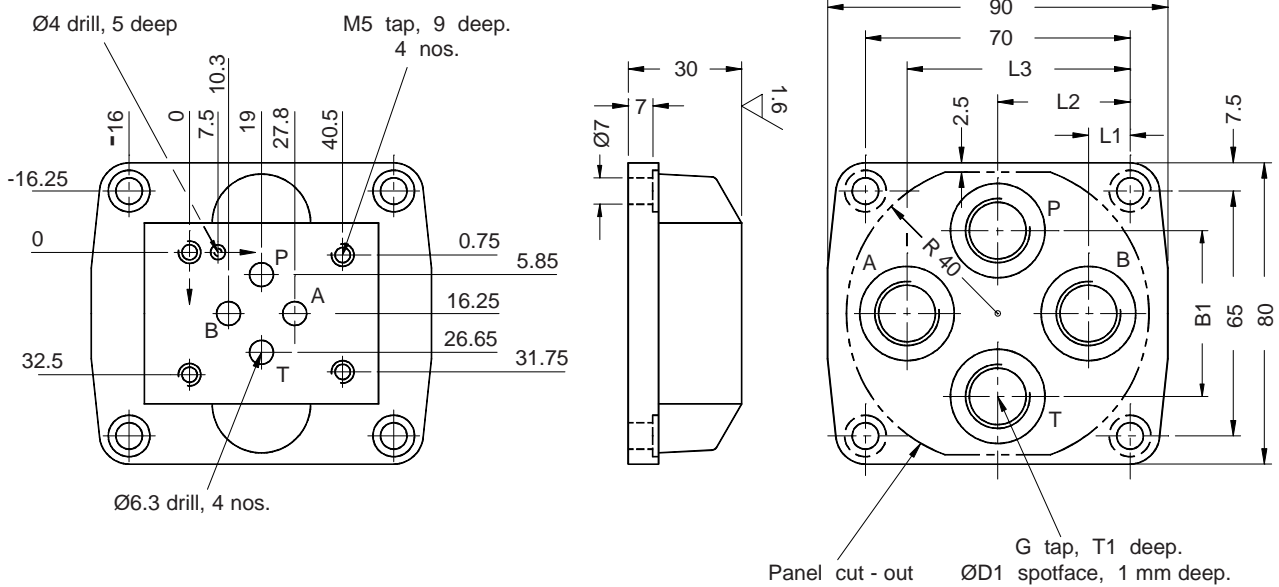


Dimensions in mm.



Polyhydron Pvt. Ltd.
78-80, Machhe Industrial Estate,
Machhe, Belgaum - 590 014. INDIA.

Phone : +91-(0)831-2411001
Fax : +91-(0)831-2411002
E-mail : polyhydron@vsnl.com
Website : www.polyhydron.com

Threaded port body

Subplate


Subplate	B1	ØD1	G	L1	L2	L3	T1
1SD03G02	34	22	G1/4	17	35	53	12
1SD03G03	44	25	G3/8	11	35	59	12



SHUTTLE VALVE SL

ENGINEERING

3

Ref. No. P03875

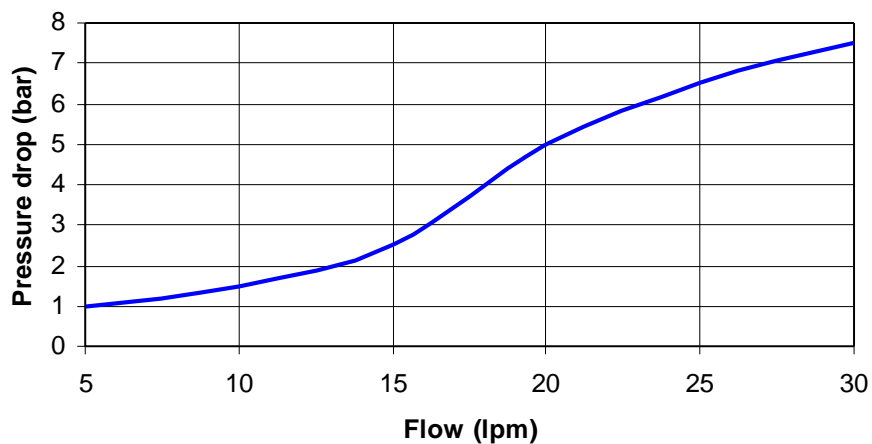
Technical specification

Construction	Seat type.
Mounting style	Cartridge, Threaded connection. (Factory standard) or Subplate type conforming to interface as per ISO 4401 - AB - 03 - 4 - A, DIN 24340, ISI 10187.
Mounting position	Optional. (Valve axis horizontal preferred.)
Direction of flow	A to P if pressure at A > B. B to P if pressure at B > A. P to A and B if A and B are at equal pressure level. (This condition can be used to connect P to tank)
Operating pressure	315 bar.
Hydraulic medium	Mineral oil.
Viscosity range	10 cSt to 380 cSt.
Fluid temperature range	-10 °C to +80 °C.
Fluid cleanliness requirement	As per ISO 16/13. or better.
Flow handling capacity	Refer graph.
Mass	Threaded type 0.75 kg. Subplate type 0.83 kg.

Performance Curve

Oil used : VG 68, Viscosity : 68 cSt @ 40 °C, temp @ test : 30 °C.

Performance curve





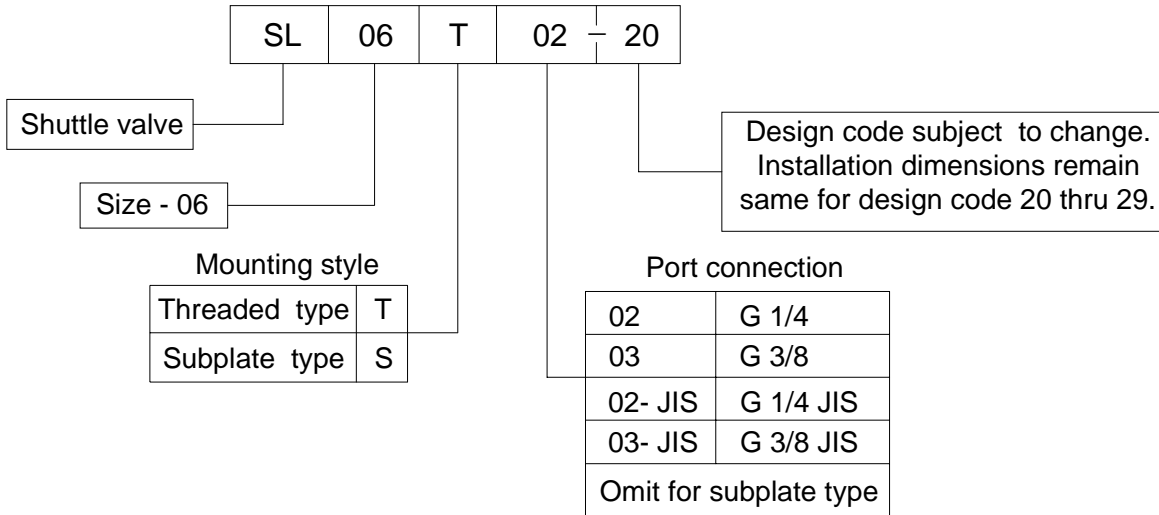
SHUTTLE VALVE SL

ENGINEERING

4

Ref. No. P03875

Ordering code



Note : Subplate to be ordered separately.