



BY - PASS CHECK VALVE (MODULAR) BCM

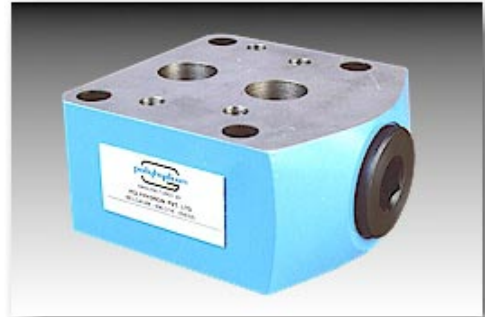
ENGINEERING

1

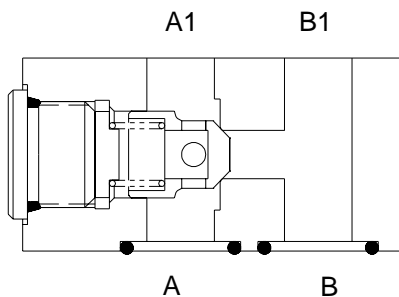
Ref. No. P06175
Release 03/2006

Description

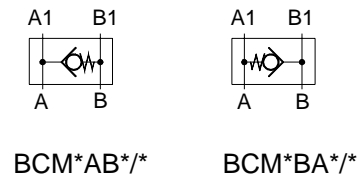
Seat type modular valve.
Intended for by - passing Pressure control valve,
Pressure reducing valve etc. to achieve reverse free
flow condition.
Allow free flow from port A to port B or from
port B to port A (see model code)
and offer leakage free closure in opposite direction.
Available in four sizes of standard interfaces
conforming to ISO 5781, DIN 24340 or IS 10187
Each model available with options of four cracking
pressures : 0.5, 1.5, 3 and 5 bar.



Section



Hydraulic Symbol



Unit dimension

Valve

MODEL CODE : BCM*AB*/*

MODEL CODE : BCM*BA*/*

Dimensions in mm.

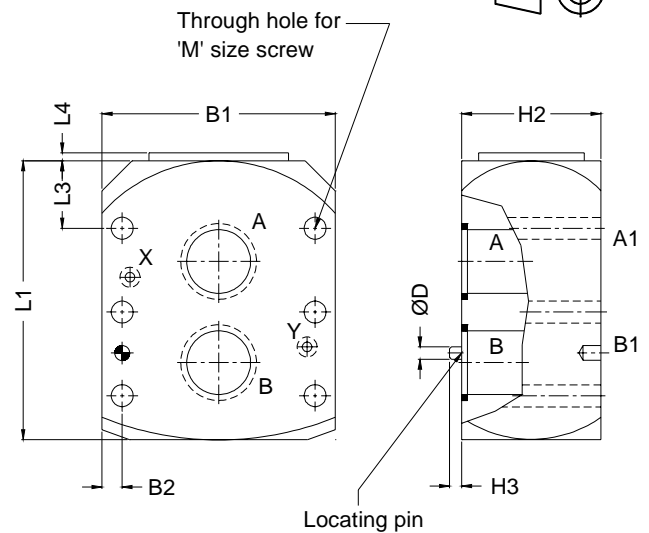
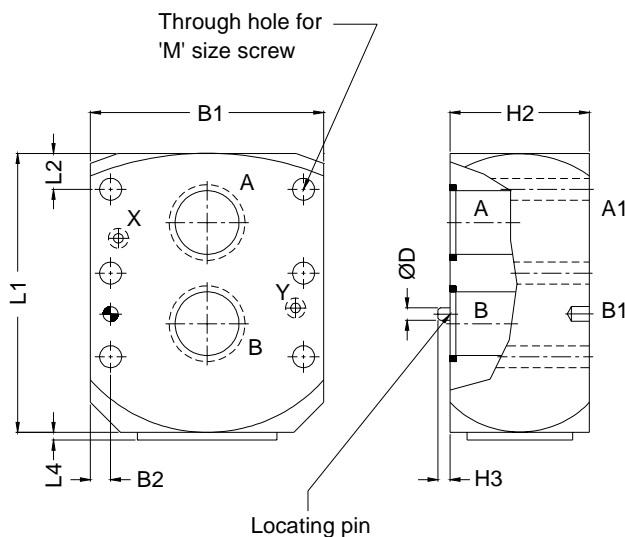


Table No. 1

Model	B1	B2	H2	H3	ØD	M	L1	L2	L3	L4	No. of fixing screws
BCM 06	44	6.5	30	4	3	M5	61	5.5	12.6	3.5	4
BCM 10	88	10.7	40	6	6.3	M10	79	10.5	25.7	3	4

Polyhydron Pvt. Ltd.

78-80, Machhe Industrial Estate,
Machhe, Belgaum - 590 014. INDIA.

Phone : +91-(0)831-2411001
Fax : +91-(0)831-2411002
E-mail : polyhydron@vsnl.com
Website : www.polyhydron.com



BY - PASS CHECK VALVE (MODULAR) BCM

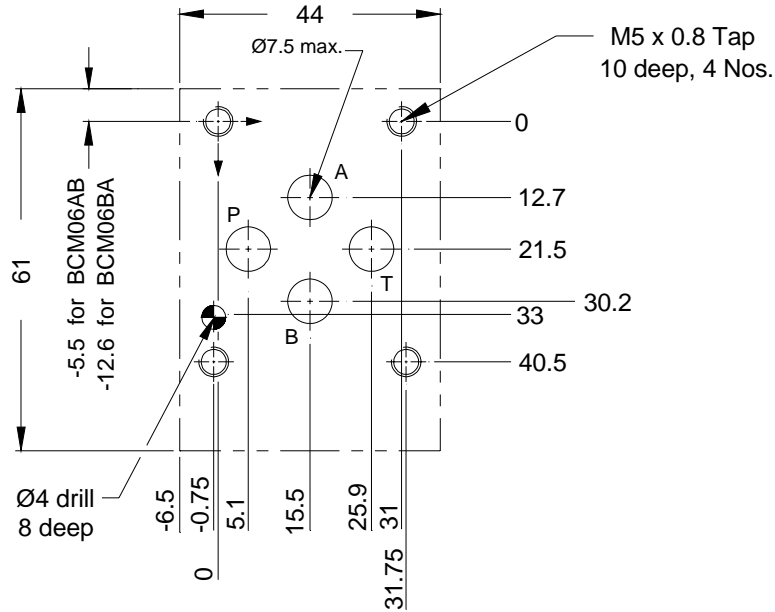
ENGINEERING

2

Ref. No. P06175

Interface Details

Size 06



Size 10, 20 and 30

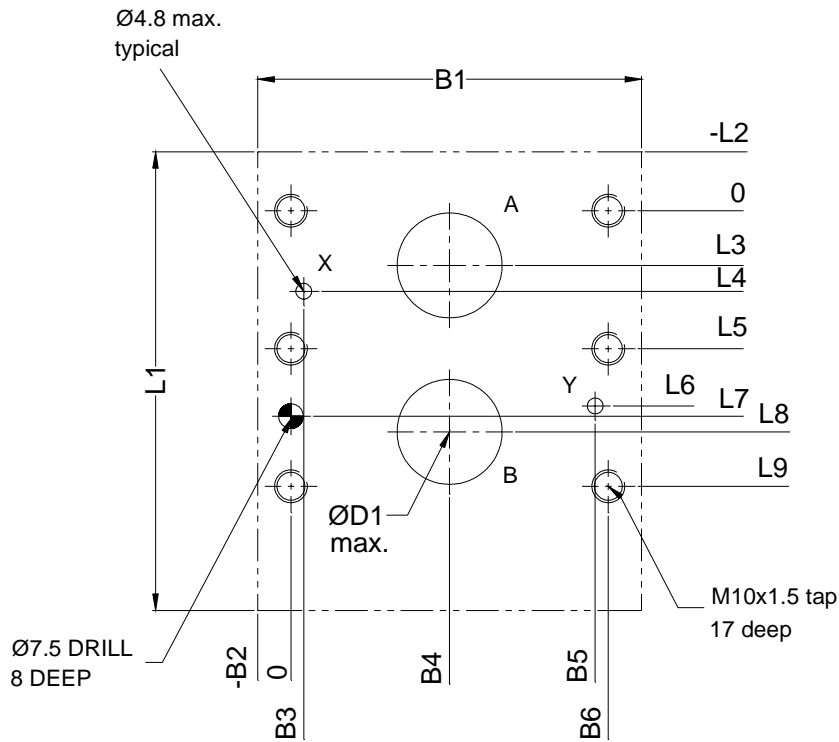


Table No. 2

Model	B1	B2	B3	B4	B5	B6	ØD1	ØD2	L1	L3
BCM 10	88	10.7	8	33.3	58.7	66.7	14	4.8	79	7.1
Model	L4	L5	L6	L7	L8	L9	(for BCM*AB*) -L2	(for BCM*BA*) -L2		
BCM 10	21.4	--	21.4	31.8	35.7	42.9	10.5	32.8		



BY - PASS CHECK VALVE
(MODULAR)
BCM

ENGINEERING

3

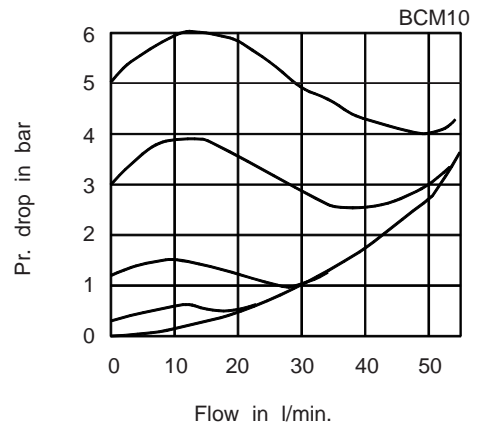
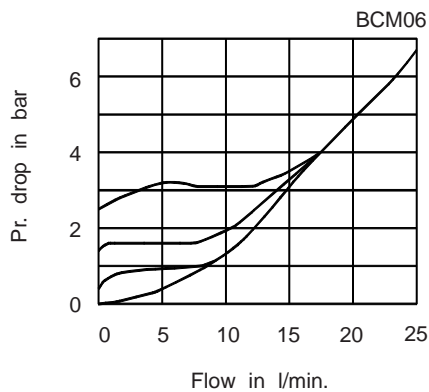
Ref. No. P06175

Technical specification

Construction Seat type.
Mounting Modular type Interface conforming to ISO 5781.
Mounting position Optional.
Direction of flow for valve BCM*AB Free flow from port A to port B
for valve BCM*BA Free flow from port B to port A Leakfree closure in opposite direction.
Operating pressure 315 bar.
Cracking pressure 0.5, 1.5, 3 or 5 bar.
Viscosity range 10 cSt to 380 cSt.
Fluid temperature range -10 °C to +80 °C.
Flow handling capacity Refer graph below.

Performance Curve

Oil used : ISO VG 68, Viscosity : 68 cSt @ 40 °C, Temp @ test : 50 °C.





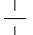
BY - PASS CHECK VALVE
(MODULAR)
BCM

ENGINEERING

4

Ref. No. P06175

Ordering code

BCM 06 AB 1  21

By-pass check valve modular construction.

Size 06, 10

Direction of free flow	
From port A to B	AB
From port B to A	BA
From port A to P (Available only for Size 06)	AP

Design code subject to change.
Installation dimensions remain same
for design code 20 thru 29.

Cracking pressure	
1 --	0.5 bar
2 --	1.5 bar
3 --	3 bar
4 --	5 bar