



A Polyhydon Group Company

PRESSURE CONTROL MODULE PCM 20-06 & PCM 20-10

ENGINEERING

1 of 4

Ref. No. D06793

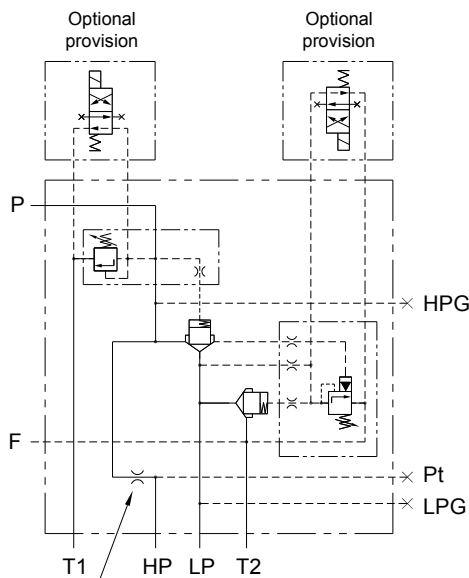
Release 04 / 2014

Description

Designed to control Double pumps of Hi-Low system.
Unloads low pressure pump when system pressure rises above the pressure set on Unloader valve.
Relieves high pressure pump when system pressure reaches the value.
Solenoid unloading facility available as an option.

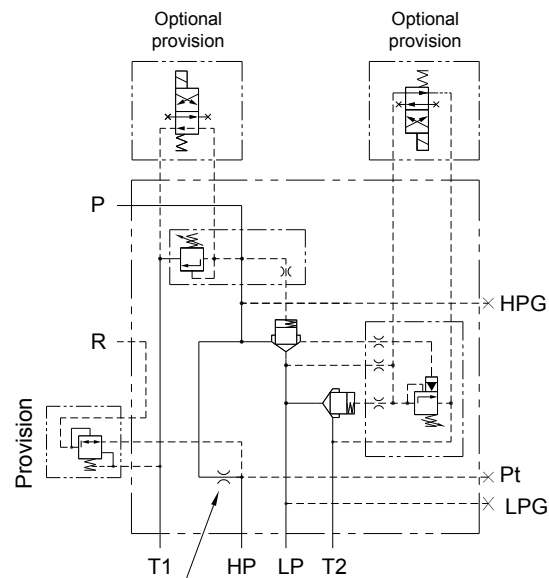


Hydraulic symbol



Orifice (Provision)

PCM20/06 and PCM20/10 with filter port, relief valve tank line combining T1 and T2 port.



Orifice (Provision)

PCM20/06 and PCM20/10 with provision for mounting Pressure reducing valve DPM*06*A-01-*

Connection details :

- HP ---- High pressure pump connection.
- LP ---- Low pressure pump connection.
- P ---- Out-let connection.
- HPG ---- Gauge connection on high pressure pump line.
- LPG ---- Gauge connection on low pressure pump line.
- Pt ---- Pilot pressure connection (Optional).
- T1 ---- Tank connection of high pressure relief valve.
- T2 ---- Tank connection of low pressure unloading valve.
- F ---- Filter port connection (T1 & T2).
- R ---- Outlet connection (reduced pressure)

Polyhydon Pvt. Ltd.
78-80, Machhe Industrial Estate,
Machhe, Belgaum - 590 014. INDIA.

Phone : +91-(0)831-2411001
Fax : +91-(0)831-2411002
E-mail : polyhydon@gmail.com
Website : www.polyhydon.com



A Polyhydron Group Company

PRESSURE CONTROL MODULE PCM 20-06 & PCM 20-10

ENGINEERING

2 of 4

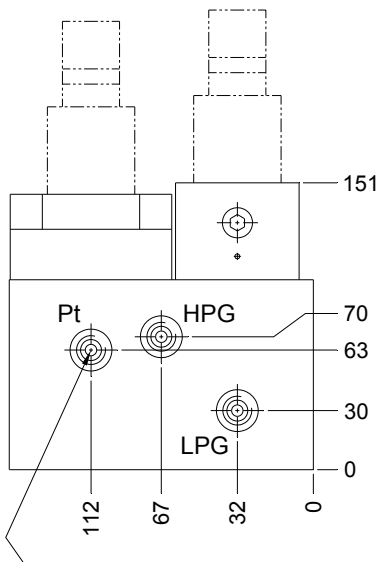
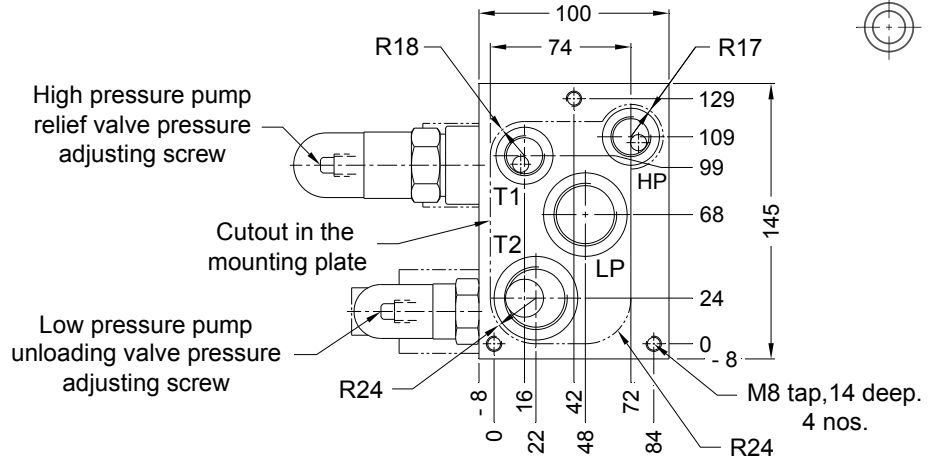
Ref. No. D06793

Unit dimensions

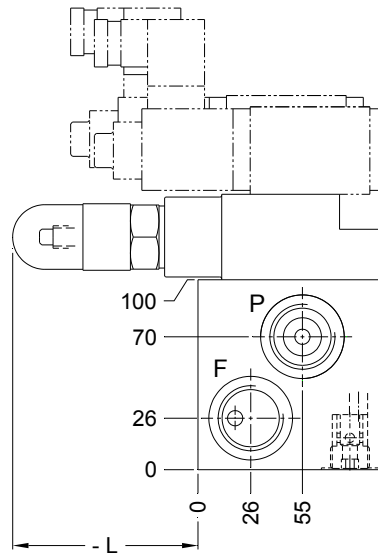
PCM 20/06 and PCM 20/10 with provision for filter port.

Dimensions in mm.

| Port details | |
|--------------|---------|
| HP | -- G1/2 |
| LP | -- G1 |
| P | -- G1 |
| Pt | -- G1/4 |
| HPG | -- G1/4 |
| LPG | -- G1/4 |
| T1 | -- G1/2 |
| T2 | -- G1 |
| F | -- G1 |



Open this plug to insert orifice in high pr. line (not fixed in the module unless specified) orifice size 1/8" NPT



| Model | - L |
|----------|-----|
| PCM20/06 | 83 |
| PCM20/10 | 98 |

Solenoid valve for unloading low pr. pump by venting. (Provision)

Solenoid valve for unloading high pr. pump by venting. (Provision)

Note : Optional and Solenoid to be ordered separately.



A Polyhydron Group Company

PRESSURE CONTROL MODULE PCM 20-06 & PCM 20-10

ENGINEERING

4 of 4

Ref. No. D06793

Technical specifications

Construction PCM 20/06 and 20/10 Direct acting poppet type high pr. relief valve.
Two stage poppet type low pressure unloading valve.

Mounting Threaded body (Factory standard)

Mounting position Optional

Flow direction As per hydraulic symbol.

Operating pressure For low pressure pump 50 and 100 bar.
For high pressure pump port 100, 200, 315.

Hydraulic medium Mineral oil.

Viscosity range 10 cSt to 380 cSt.

Fluid temperature range -20°C to +70°C.

Fluid cleanliness requirement ISO 4406 20/18/15 or better.

Flow handling capacity

| Model | High pressure max. | Low pressure max. |
|-----------|--------------------|-------------------|
| PCM 20-06 | 25 l/min | 160 l/min |
| PCM 20-10 | 60 l/min | 160 l/min |

Mass 7.5 kg. APPROX.

Ordering code

