

Pressure relief valve, direct operated

Type DBD



- ▶ Size 6 ... 30
- ▶ Component series 1X
- ▶ Maximum operating pressure 630 bar
- ▶ Maximum flow 330 l/min



Features

- ▶ As screw-in cartridge valve (cartridge)
- ▶ For threaded connection
- ▶ For subplate mounting
- ▶ Adjustment types for pressure adjustment, optionally:
 - Bushing with hexagon and protective cap
 - Rotary knob
 - Hand wheel
 - Lockable rotary knob
- ▶ Corrosion-protected design

Contents

Features	1
Ordering code	2, 3
Function, section, symbol	4
Technical data	5, 6
Characteristic curves	7, 8
Dimensions	9 ... 13

Type-examination tested safety valve type DBD...E according to Pressure Equipment Directive 2014/68/EU

(in the following shortly PED)

Deviating technical data	14
Ordering code	15
Characteristic curves	16
Deviating dimensions	17
Sheet cut-out for front panel mounting	18
Safety instructions	19
Counter pressure in the discharge line	19 ... 23
Further information	24

Ordering code

01	02	03	04	05	06	07	08	09	10	11
DBD				1X	/					*

01	Pressure relief valve, direct operated	DBD
----	--	-----

Adjustment type for pressure adjustment

02		NG6	NG8	NG10	NG15	NG20	NG25	NG30	
	Bushing with hexagon and protective cap	✓	✓	✓	✓	✓	✓	✓	S
	Rotary knob ¹⁾	✓	✓	✓	✓	✓	-	-	H
	Hand wheel ²⁾	-	-	-	-	-	✓	✓	H
	Lockable rotary knob ^{1; 3; 4)}	✓	✓	✓	✓	✓	-	-	A

03	Size 6 (port G1/4)	6
	Size 8 (port G3/8)	8
	Size 10 (port G1/2)	10
	Size 15 (port G3/4)	15
	Size 20 (port G1)	20
	Size 25 (port G1 1/4)	25
	Size 30 (port G1 1/2)	30

Type of connection

04		NG6	NG8	NG10	NG15	NG20	NG25	NG30	
	As screw-in cartridge valve (cartridge)	✓	-	✓	-	✓	-	✓	K
	For threaded connection	✓	✓	✓	✓	✓	✓	✓	G
	For subplate mounting	✓	-	✓	-	✓	-	✓	P

05	Component series 10 ... 1Z (10 ... 1Z: unchanged installation and connection dimensions)	1X
----	--	----

Pressure rating ⁵⁾

06		NG6	NG8	NG10	NG15	NG20	NG25	NG30	
	Set pressure up to 25 bar	✓	✓	✓	✓	✓	✓	✓	25
	Set pressure up to 50 bar	✓	✓	✓	✓	✓	✓	✓	50
	Set pressure up to 100 bar	✓	✓	✓	✓	✓	✓	✓	100
	Set pressure up to 200 bar	✓	✓	✓	✓	✓	✓	✓	200
	Set pressure up to 315 bar	✓	✓	✓	✓	✓	✓	✓	315
	Set pressure up to 400 bar	✓	✓	✓	✓	✓	-	-	400
	Set pressure up to 630 bar ⁶⁾	-	-	✓	-	-	-	-	630

Corrosion resistance (for availability see table on page 3)

07	None	no code
	Improved corrosion protection (240 h salt spray test according to EN ISO 9227)	J3
	High corrosion protection (720 h salt spray test according to EN ISO 9227)	J5

Seal material (observe compatibility of seals with hydraulic fluid used, see page 6)

08	NBR seals	no code
	FKM seals	V

Line connection

09	Pipe thread according to ISO 228/1	no code
	SAE thread	12


Equipment Directive

10	Without type-examination procedure	no code
	Type-examination tested safety valve according to PED 2014/68/EU ⁷⁾	E

11	For further details, see the plain text	
----	---	--


Ordering code

- 1) For size 20, only available for the pressure ratings 25, 50 or 100 bar.
- 2) Available for the pressure ratings 25, 50 or 100 bar only.
- 3) Key with material no. **R900008158** is included in the scope of delivery.
- 4) Not available for type-examination tested safety valves "E".
- 5) When selecting the pressure rating, please observe the characteristic curves and notices on page 8.
- 6) With version "G" and "P", only available as "SO292", see page 9 and 12.
- 7) See ordering code on page 15.

 **Notice:** Preferred types and standard units are contained in the EPS (standard price list).

Availability corrosion resistance (Without type-examination procedure; only adjustment type "S")

Type of connection	NG6	NG8	NG10	NG15	NG20	NG25	NG30
As screw-in cartridge valve "K"	no code, J5	–	no code, J5	–	no code, J5	–	no code, J5
For threaded connection "G"	no code, J3	no code	no code, J3	no code	no code, J3	no code	no code, J3
For subplate mounting "P"	no code, J3	–	no code, J3	–	no code, J3	–	no code, J3

 **Notice:**
Deviating ordering code for type-examination tested safety valves "E" can be found on page 15

Function, section, symbol

Pressure relief valves of type DBD are direct operated seat valves. They are used for limiting a system pressure. The valves basically consist of sleeve (1), spring (2), poppet with damping piston (3) (pressure rating 25 ... 400 bar) or ball (4) (pressure rating 630 bar) and adjustment type (5). The system pressure can be set steplessly via the adjustment type (5). The spring (2) pushes the poppet (3) or the ball (4) onto the seat. Channel P is connected to the system. The pressure existing in the system acts on the poppet surface (or the ball).

If the pressure in channel P exceeds the value set at the spring (2), the poppet (3) or the ball (4) opens against the spring (2). Now, hydraulic fluid from channel P flows into channel T. The stroke of the poppet (3) is limited by the embossing (6).

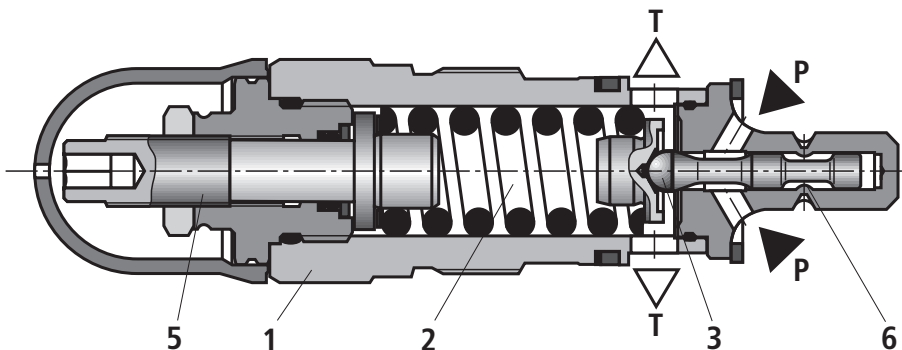
In order to achieve good pressure adjustment over the entire pressure range, the entire pressure range has been divided into 7 pressure ratings. One pressure rating corresponds to a certain spring for a maximum operating pressure that can be set by means of that spring.

Notice:

The adjustment type (5) is constructed so that it cannot be lost. Due to the gimbal-mounting, the adjustment element remains loose (movable) in the adjustment type (5) in case of complete unloading. Pressure rating "25":

If despite completely unloaded adjustment type, the minimum pressure does not settle, the adjustment element has to be "pulled back" to the stop due to the low spring and/or restoring force.

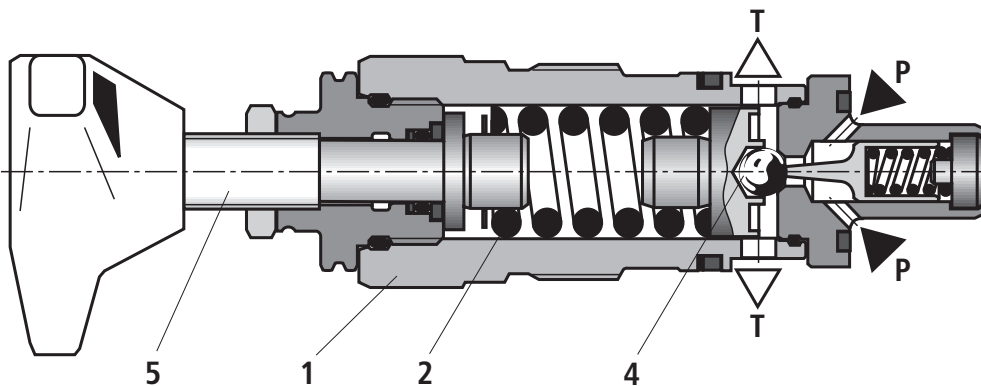
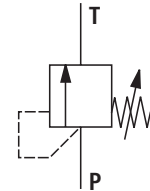
For pressure adjustment / increase, the adjustment element can then be screwed in again.



Type DBDS..K1X/...

Version pressure rating 25 ... 400 bar (poppet seat valve)

Symbol



Type DBDH 10 K1X/...

Version pressure rating 630 bar (ball seat valve, only NG10)

Technical data

(For applications outside these values, please consult us!)

General					
Size	NG	6, 8	10	15, 20	25, 30
Weight	See pages 9, 11 and 12				
Installation position	Any				
Ambient temperature range	°C	-30 ... +80 (NBR seals) -15 ... +80 (FKM seals)			
Minimum stability of the housing materials	Housing materials are to be selected so that there is sufficient safety for all imaginable operating conditions (e. g. with reference to pressure resistance, thread stripping strengths and tightening torques).				
MTTF _D values according to EN ISO 13849	years	150 ... 1200 (for more information see data sheet 08012)			

Hydraulic						
Maximum operating pressure	▶ Input	bar	400	630	400	315
	▶ Output	bar	315	315	315	315
Minimum set pressure	See characteristic curves page 7					
Maximum flow (standard valves)	See characteristic curves page 8					
Hydraulic fluid	see table page 6					
Hydraulic fluid temperature range	°C	-30 ... +80 (NBR seals) -15 ... +80 (FKM seals)				
Viscosity range	mm ² /s	10 ... 800				
Maximum admissible degree of contamination of the hydraulic fluid; cleanliness class according to ISO 4406 (c)	Class 20/18/15 ¹⁾					

¹⁾ The cleanliness classes specified for the components must be adhered to in hydraulic systems. Effective filtration prevents faults and simultaneously increases the life cycle of the components.
Available filters can be found at www.boschrexroth.com/filter.

Deviating technical data for type-examination tested safety valves can be found on page 14.



Notice:

Hydraulic counter pressures in port T add 1:1 to the response pressure of the valve set at the adjustment type.

Example:

- ▶ Pressure adjustment of the valve due to spring preload (item 2 on page 4) $p_{\text{spring}} = 200 \text{ bar}$
- ▶ Hydraulic counter pressure in port T: $p_{\text{hydraulic}} = 50 \text{ bar}$
- ▶ ⇒ Response pressure = $p_{\text{spring}} + p_{\text{hydraulic}} = 250 \text{ bar}$

Technical data

(For applications outside these values, please consult us!)

Hydraulic fluid	Classification	Suitable sealing materials	Standards	Data sheet
Mineral oils	HL, HLP, HLPD, HVLP, HVLPD	NBR, FKM	DIN 51524	90220
Bio-degradable	▶ Insoluble in water	HETG	ISO 15380	90221
		HEES		
	▶ Soluble in water	HEPG	ISO 15380	
Flame-resistant	▶ Water-free	HFDU (glycol base)	ISO 12922	90222
		HFDU (ester base)		
		HFDR		
	▶ Containing water	HFC (Fuchs: Hydrotherm 46M, Renosafe 500; Petrofer: Ultra Safe 620; Houghton: Safe 620; Union: Carbide HP5046)	ISO 12922	90223



Important notices on hydraulic fluids:

- ▶ For further information and data on the use of other hydraulic fluids, please refer to the data sheets above or contact us.
- ▶ There may be limitations regarding the technical valve data (temperature, pressure range, life cycle, maintenance intervals, etc.).
- ▶ The ignition temperature of the hydraulic fluid used must be 50 K higher than the maximum surface temperature.
- ▶ **Bio-degradable and flame-resistant – containing water:**
If components with galvanic zinc coating (e.g. version "J3" or "J5") or parts containing zinc are used, small amounts of dissolved zinc may get into the hydraulic system and cause accelerated aging of the hydraulic fluid. Zinc soap may form as a chemical reaction product, which may clog filters, nozzles and solenoid valves – particularly in connection with local heat input.

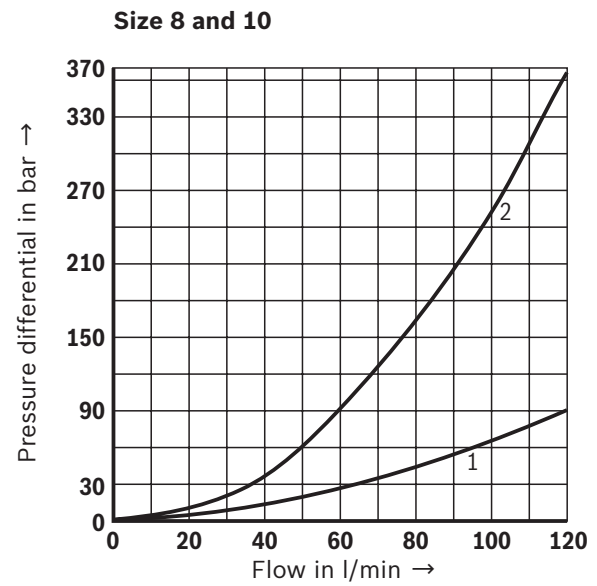
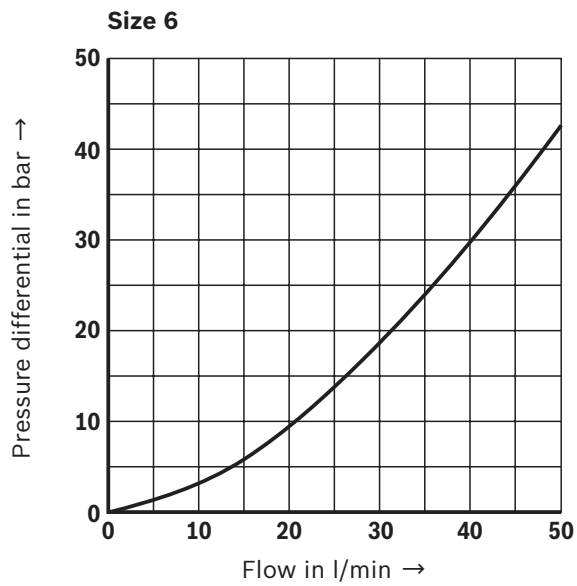
▶ Flame-resistant – containing water:

Due to increased cavitation tendency with HFC hydraulic fluids, the life cycle of the component may be reduced by up to 30 % as compared to the use with mineral oil HLP. In order to reduce the cavitation effect, it is recommended – if possible specific to the installation – to back up the return flow pressure in ports T to approx. 20 % of the pressure differential at the component.

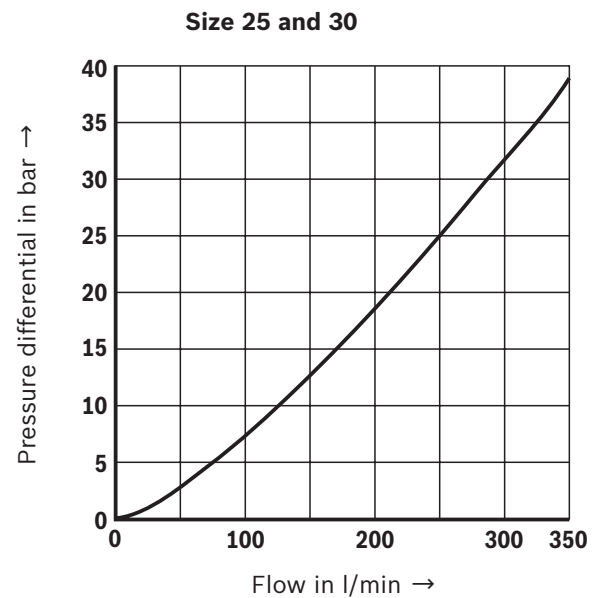
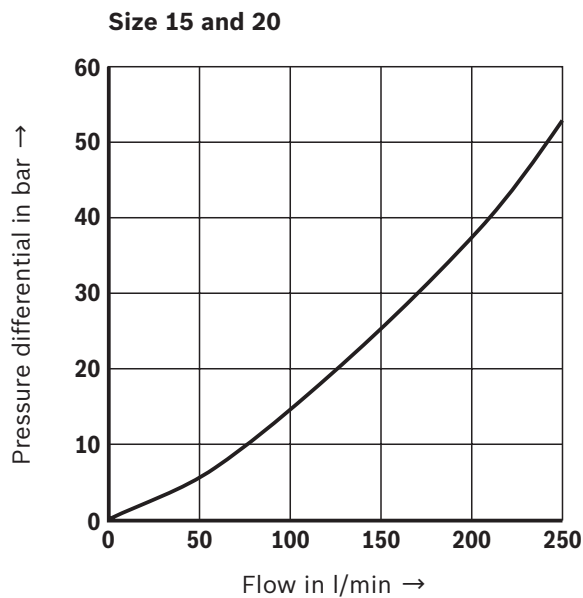
Characteristic curves

(measured with HLP46, $\vartheta_{oil} = 40 \pm 5 \text{ } ^\circ\text{C}$)

Minimum set pressure



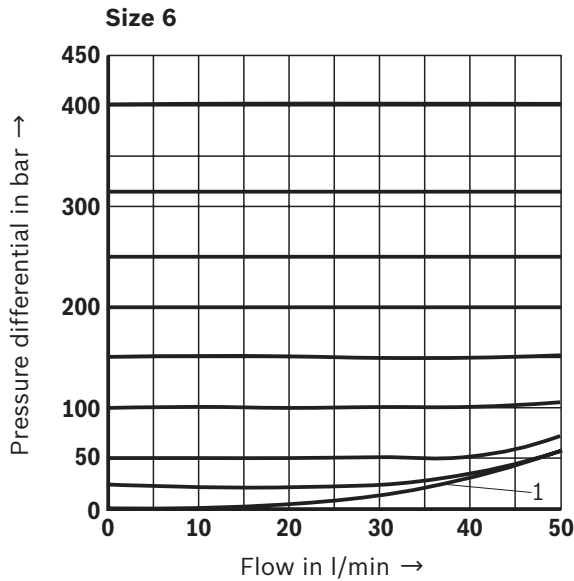
- 1 Pressure rating 25 ... 400 bar
- 2 Pressure rating 630 bar



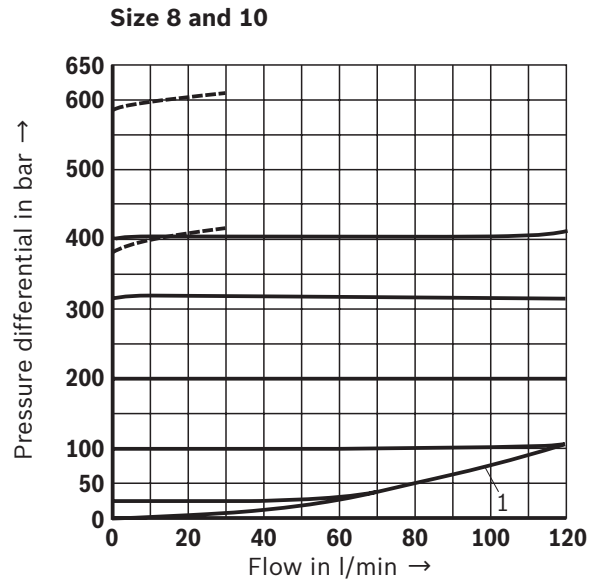
Characteristic curves

(measured with HLP46, $\vartheta_{oil} = 40 \pm 5 \text{ }^\circ\text{C}$)

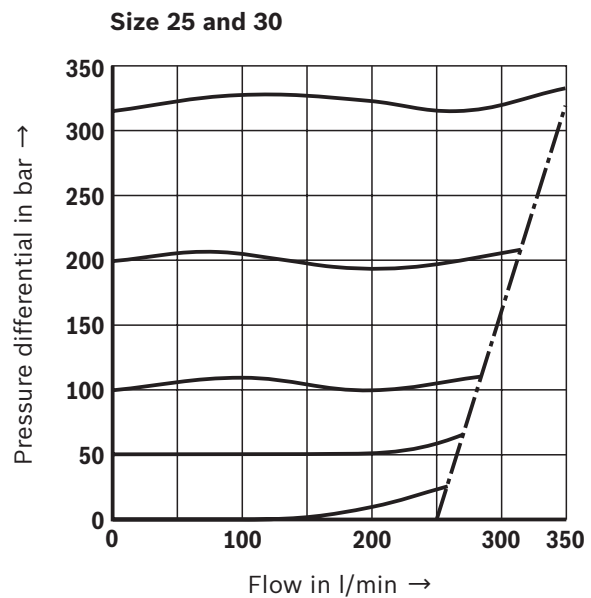
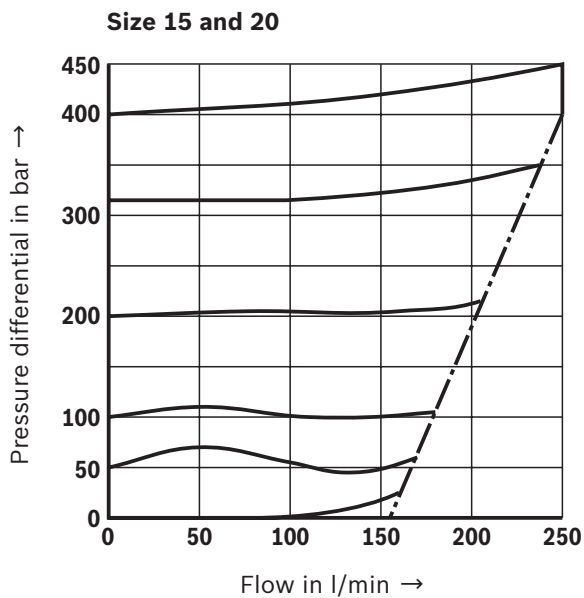
Δp - q_v characteristic curves



1 minimum adjustable pressure



--- Pressure rating 630 bar (NG10 only)

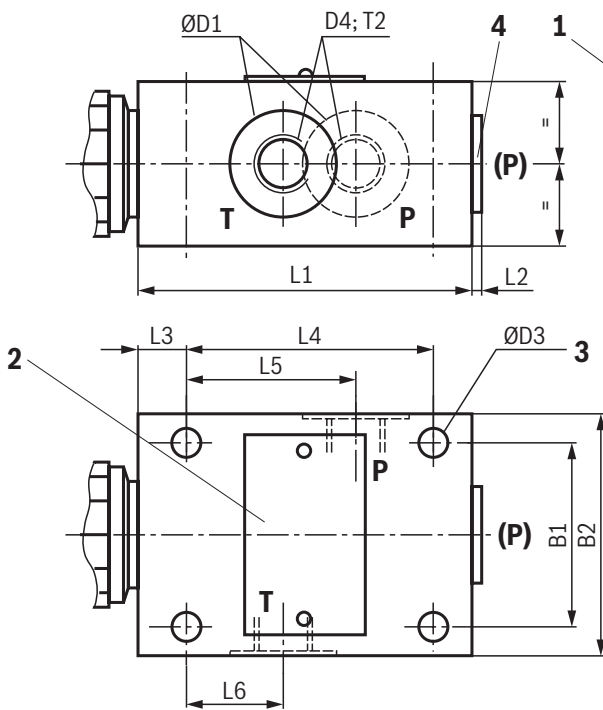


Notice:

- ▶ The characteristic curves apply to the pressure at the valve output $p = 0$ bar across the entire flow range.
- ▶ The characteristic curves only apply with the specified environmental and temperature conditions. It has to be noted that the development of the characteristic curve will be influenced in case of deviating boundary conditions.

- ▶ The characteristic curves refer to the specified pressure ratings (e.g. 200 bar). The more the set pressure value differs from the nominal pressure rating (e.g. < 200 bar), the larger the pressure increase with increasing flow gets.

Dimensions: Threaded connection
(dimensions in mm)



- 1 Adjustment type "S" (example)
Grub screw with hexagon and protective cap
- 2 Name plate
- 3 4 valve mounting bores
- 4 Additional port (P), optional (e.g. for pressure measurement);
not possible for NG10 and pressure rating > 400 bar (= version "SO292").
Dimensions see dimensions D4, tightening torque see table below.

NG	B1	B2	ØD1 ¹⁾	D2 ¹⁾	ØD3	D4 ¹⁾	Tightening torques M_A in Nm for fittings ²⁾	
							Plug screw (4)	Pipe fittings
6	45	60	25	M6	6.6	G1/4	30	60
8	60	80	28	M8	9	G3/8	40	90
10	60	80	34	M8	9	G1/2	60	130
15	70	100	42	M8	9	G3/4	80	200
20	70	100	47	M8	9	G1	135	380
25	100	130	56	M10	11	G1 1/4	480	500
30	100	130	65	M10	11	G1 1/2	560	600

NG	H1	H2	L1	L2	L3	L4	L5	L6	T1	T2 ¹⁾	Weight, approx. in kg
6	25	40	80	4	15	55	40	20	10	12	1.5
8	40	60	100	4	20	70	48	21	15	12	3.7
10	40	60	100	4	20	70	48	21	15	14	3.7
15	50	70	135	4	20	100	65	34	18	16	6.4
20	50	70	135	5.5	20	100	65	34	18	18	6.4
25	60	90	180	5.5	25	130	85	35	20	20	13.9
30	60	90	180	5.5	25	130	85	35	20	22	13.9

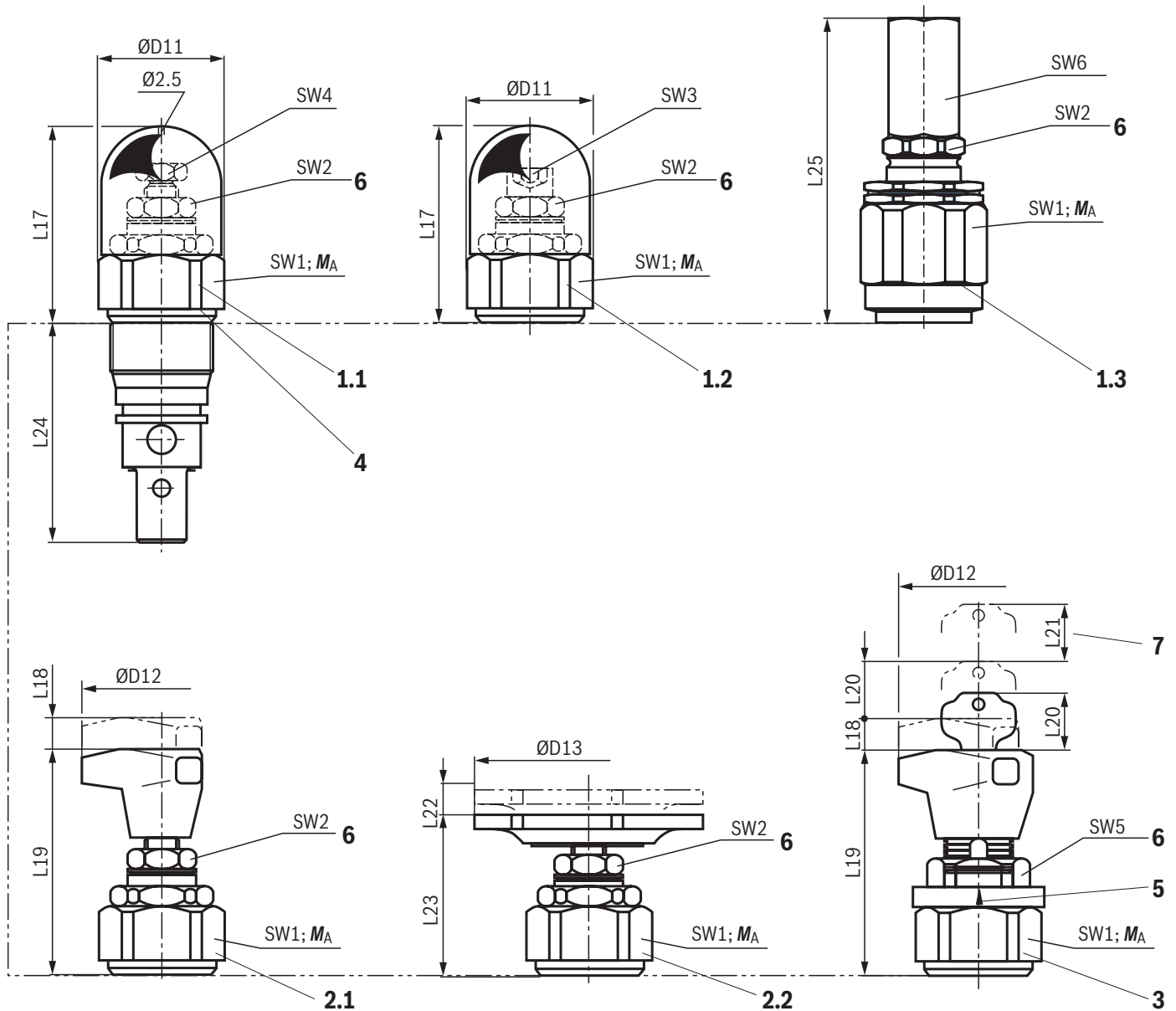
1) Deviating dimensions for version "12"

NG	ØD1	D2	D4	T2
6	21	1/4"-20 UNC	7/16"-20 UNF	12
8	25	5/16"-18 UNC	9/16"-18 UNF	13
10	32	5/16"-18 UNC	3/4"-16 UNF	15
15	41	5/16"-18 UNC	1 1/16"-12 UN	20
20	49	5/16"-18 UNC	1 5/16"-12 UN	20
25	58	3/8"-16 UNC	1 5/8"-12 UN	20
30	70	3/8"-16 UNC	1 7/8"-12 UN	16

- ²⁾ The tightening torques are guidelines, referring to the maximum operating pressure and when using a manual torque wrench (tolerance ±10%).

For the versions and dimensions of the adjustment types refer to page 10 and 11.

Dimensions: Screw-in cartridge valve
(dimensions in mm)



- 1.1** Adjustment type "S" – Grub screw with hexagon and protective cap; internal hexagon (NG6 ... NG20)
- 1.2** Adjustment type "S" – Grub screw with hexagon and protective cap; external hexagon (NG30)
- 1.3** Adjustment type "S" – Grub screw with hexagon and protective cap; version "J3" and "J5"
- 2.1** Adjustment type "H" – rotary knob (NG6 ... NG20)
- 2.2** Adjustment type "H" – hand wheel (NG30)
- 3** Adjustment type "A" – lockable rotary knob
NG6 ... NG10 (NG20 ... 100 bar)
- 4** Type designation

- 5** Marking (adjustment of the zero position after the valve has been screwed in; then fixing of the ring by horizontal shifting until it engages on the plug screw SW6).
- 6** Lock nut, tightening torque $M_A = 10^{+5}$ Nm
- 7** Space required to remove the key

Dimensional tables see page 11, installation bore see page 13.

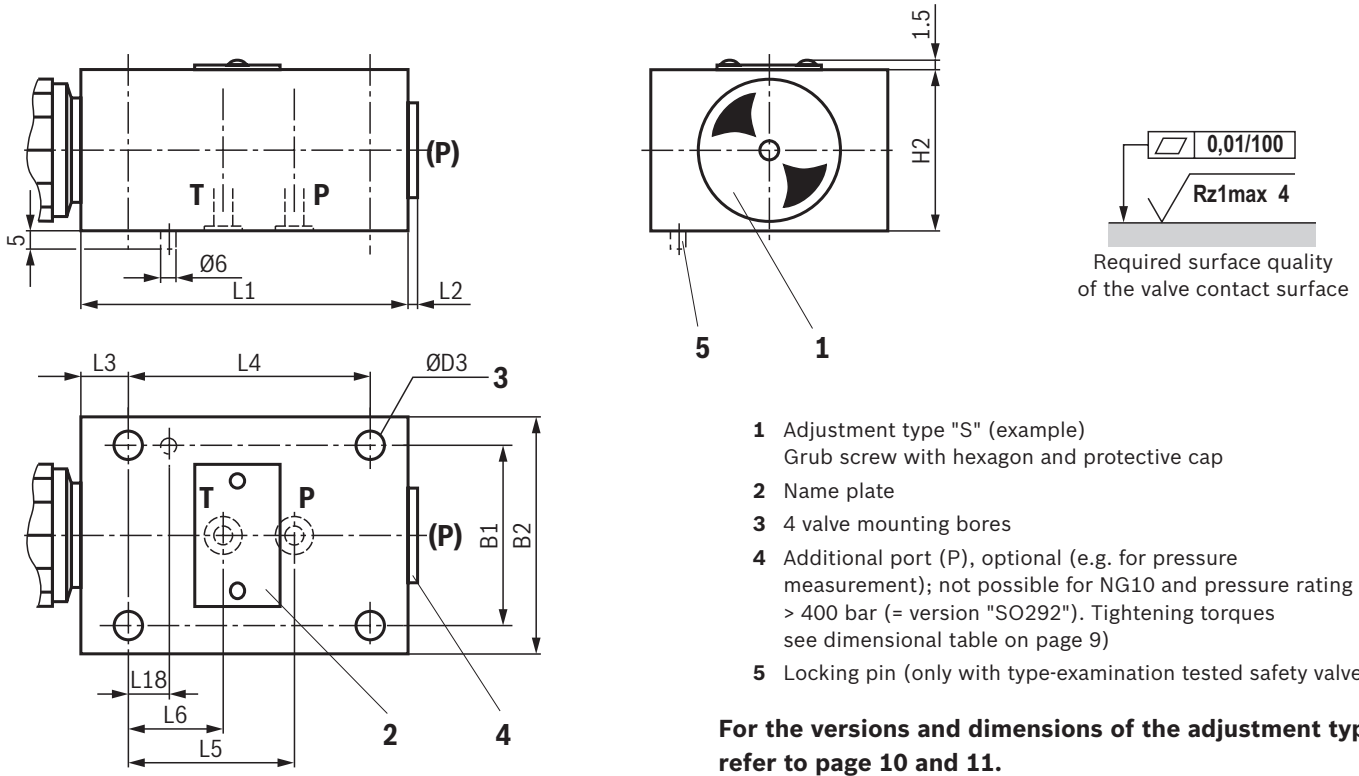
Dimensions: Screw-in cartridge valve
(dimensions in mm)

NG	ØD11	ØD12	ØD13	L17	L18	L19	L20	L21	L22	L23	L24	L25
6	34	60	–	72	11	83	28	20	–	–	64.5	82.2
10	38	60	–	68	11	79	28	20	–	–	77	78.5
20	48	60	–	65	11	77	28	20	–	–	106	75
30	63	–	80	83	–	–	–	–	11	56	131	94.3

NG	SW1	SW2	SW3	SW4	SW5	SW6	Tightening torques M_A in Nm for screw-in cartridge valves ²⁾			Weight, approx. in kg
							Pressure rating in bar			
							up to 200	up to 400	up to 630	
6	32	19	6	–	30	19	50±5	80±5	–	0.4
10	36	19	6	–	30	19	100±5	150±10	200±10	0.5
20	46	19	6	–	30	19	150±10	300±15	–	1
30	60	19	–	13	–	19	350±20	500±30	–	2.2

²⁾ The tightening torques are guidelines with a friction coefficient $\mu_{\text{total}} = 0.12$ and when using a manual torque wrench.

Dimensions: Subplate mounting
(dimensions in mm)



NG	B1	B2	ØD3	H2	L1	L2	L3
6	45	60	6.6	40	80	4	15
10	60	80	9	60	100	4	20
20	70	100	9	70	135	5.5	20
30	100	130	11	90	180	5.5	25

NG	L4	L5	L6	L18	Port P		Weight, approx. in kg
					"no code"	"12"	
6	55	40	20	15	G1/4	7/16"-20 UNF	1.5
10	70	45	21	15	G1/2	3/4-16 UNF	3.7
20	100	65	34	15	G3/4	1 5/16"-12 UN	6.4
30	130	85	35	15	G1 1/4	1 7/8-12 UN	13.9

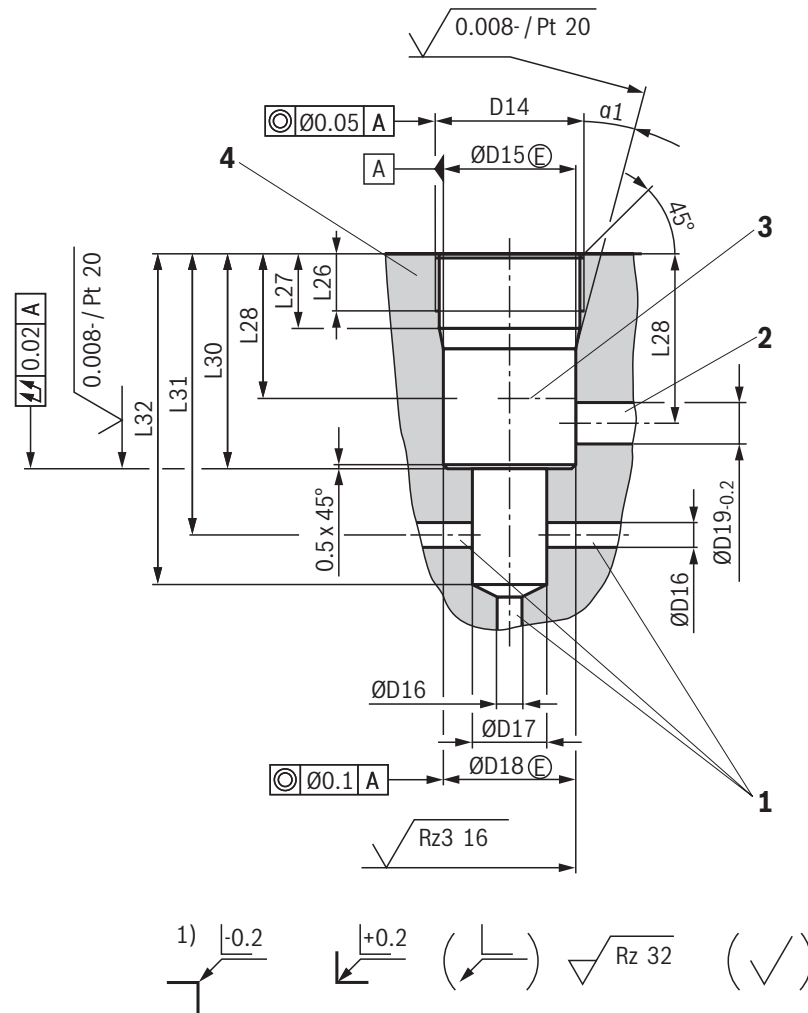
Valve mounting screws (separate order)

Size	Quantity	Hexagon socket head cap screws	Material number
6	4	ISO 4762 - M6 x 50 - 10.9-CM-Fe-ZnNi-5-Cn-T0-H-B Friction coefficient $\mu_{total} = 0.09 \dots 0.14$; tightening torque $M_A = 12.5 \text{ Nm} \leq 10\%$	R913048088
10	4	ISO 4762 - M8 x 70 - 10.9-FIZn/nc/480h/C Tightening torque $M_A = 28 \text{ Nm} \leq 10\%$	R913014548
20	4	ISO 4762 - M8 x 90 - 12.9-flZn/nc/480h/C Tightening torque $M_A = 28 \text{ Nm} \leq 10\%$	R913069227
30	4	ISO 4762 - M10 x 110 - 12.9-flZn/nc/480h/C Tightening torque $M_A = 56 \text{ Nm} \leq 10\%$	R913059433

Notice:

- ▶ For reasons of stability, exclusively the specified valve mounting screws shall be used.
- ▶ As replacement, you can use screws specified according to DIN 912.

Dimensions: Installation bore
(dimensions in mm)



- 1 Port P, at any place at the circumference or at the front side
- 2 Port T, at any place at the circumference
- 3 Depth of fit
- 4 Minimum stability of the housing materials, see Technical data page 5.

1) All seal ring insertion faces are rounded and free of burrs
Tolerance for all angles $\pm 0.5^\circ$

NG	D14	ØD15	ØD16	ØD17	ØD18	ØD19
6	M28 x 1.5	25H9	6	15	24.9 ^{+0.152} _{-0.2}	12
10	M35 x 1.5	32H9	10	18.5	31.9 ^{+0.162} _{-0.2}	15
20	M45 x 1.5	40H9	20	24	39.9 ^{+0.162} _{-0.2}	22
30	M60 x 2	55H9	30	38.75	54.9 ^{+0.174} _{-0.2}	34

NG	L26	L27	L28	L29	L30	L31	L32	α1
6	15	19	30	36	45	56.5±5.5	65	15 °
10	18	23	35	41.5	52	67.5±7.5	80	15 °
20	21	27	45	55	70	91.5±8.5	110	20 °
30	23	29	45	63	84	113.5±11.5	140	20 °

Type-examination tested safety valves

The functionality of these valves corresponds to that of the standard series (see page 4). Valves of type DBD..1X/..E are, however, type-examination tested pressure relief valves according to the Pressure Equipment Directive 2014/68/EU and intended for use as safety valves.

At the factory, the response pressure is set to a fixed maximum value using the adjustment type. Afterwards, the safety valve is sealed and/or secured using a safety cap which cannot be disassembled in non-destructive manner.

The safety valves are available with graded response pressures (in 5 bar steps). The valve version provided with a safety cap can no longer be adjusted. With valve versions equipped with rotary knob or hand wheel, the valve spring can be unloaded by the user. This way, a response pressure lower than the factory setting can be set without the need of removing the lead seal.

Deviating technical data: Type-examination tested safety valves type DBD ¹⁾

General		
Ambient temperature range	°C	-10 ... +80
Hydraulic		
Set response pressure	bar	see last figure of the component marking page 15
Maximum counter pressure in the discharge line	bar	see characteristic curves page 19 ... 23
Maximum flow	l/min	The last but one figure of the component marking attached at the safety valve is always binding, see page 15. For valve types which have a variable maximum flow depending on the response pressure, the discharge coefficient is specified at this place (see page 16).
Hydraulic fluid		Hydraulic fluids according to DIN 51524: Hydraulic oils HL and HLP are suitable for safety valves with NBR or FKM seals.
Hydraulic fluid temperature range	°C	-10 ... +60
Viscosity range	mm ² /s	12 ... 230
Conformity		CE according to Pressure Equipment Directive 2014/68/EU

¹⁾ Component series 1X, according to the Pressure Equipment Directive 2014/68/EU

Ordering code: Type-examination tested safety valves type DBD 1)

NG	Designation	Component marking
6	DBD <input type="text"/> ¹ 6 <input type="text"/> ² -1X/ <input type="text"/> ³ <input type="text"/> ⁴ <input type="text"/> ⁵ <input type="text"/> ⁶ E	TÜV.SV. <input type="text"/> -849.5.F. α_w G .p.
10	DBD <input type="text"/> ¹ 10 <input type="text"/> ² -1X/ <input type="text"/> ³ <input type="text"/> ⁴ <input type="text"/> ⁵ <input type="text"/> ⁶ E	TÜV.SV. <input type="text"/> -850.6.F. α_w G .p. TÜV.SV. <input type="text"/> -390.4,5.F.30.p. ²⁾
20	DBD <input type="text"/> ¹ 20 <input type="text"/> ² -1X/ <input type="text"/> ³ <input type="text"/> ⁴ <input type="text"/> ⁵ <input type="text"/> ⁶ E	TÜV.SV. <input type="text"/> -361.10.F. α_w .p.
30	DBD <input type="text"/> ¹ 30 <input type="text"/> ² -1X/ <input type="text"/> ³ <input type="text"/> ⁴ <input type="text"/> ⁵ <input type="text"/> ⁶ E	TÜV.SV. <input type="text"/> -362.15.F. α_w .p.

Value entered at the factory

- ¹⁾ Component series 1X,
according to the Pressure Equipment Directive 2014/68/EU
²⁾ Component marking for DBD. 10.1X/...;
400 bar < p ≤ 630 bar

Adjustment type for pressure adjustment

1		NG6	NG10	NG20	NG30	
<input type="checkbox"/>	Bushing with hexagon and protective cap	✓	✓	✓	✓	S
	Rotary knob	✓	✓	✓	-	H
	Hand wheel	-	-	-	✓	H

Type of connection

2		NG6	NG10	NG20	NG30	
<input type="checkbox"/>	As screw-in cartridge valve (cartridge)	✓	✓	✓	✓	K
	For threaded connection	✓	✓	✓	✓	G
	For subplate mounting	✓	✓	✓	✓	P

Pressure rating ³⁾

3	<input type="checkbox"/> Pressure in the type designation is to be entered by the customer, pressure adjustment ≥ 30 bar and possible in 5-bar steps.	
---	---	--

Corrosion resistance (for availability see table below)

4	<input type="checkbox"/> None	no code
	Improved corrosion protection (240 h salt spray test according to EN ISO 9227)	J3
	High corrosion protection (720 h salt spray test according to EN ISO 9227)	J5

Seal material (observe compatibility of seals with hydraulic fluid used, see page 6)

5	<input type="checkbox"/> NBR seals	no code
	FKM seals	V

Line connection

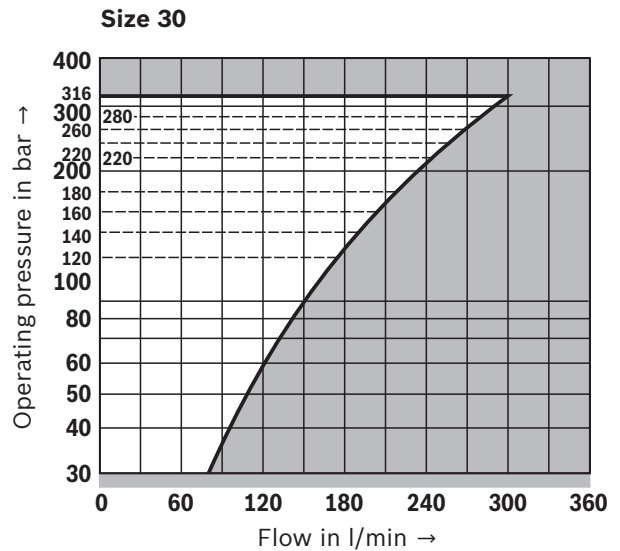
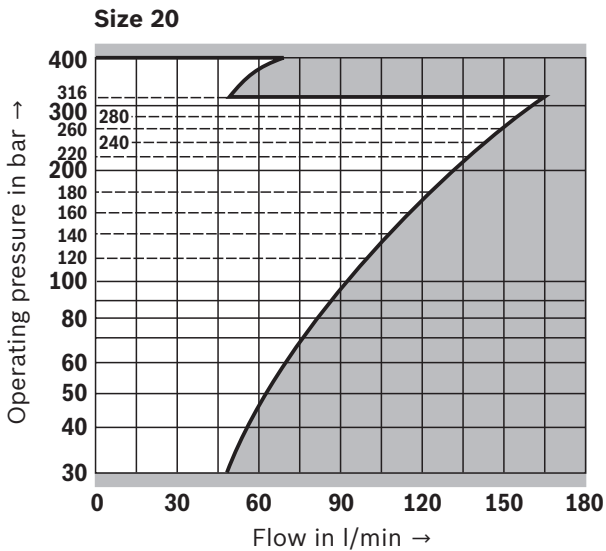
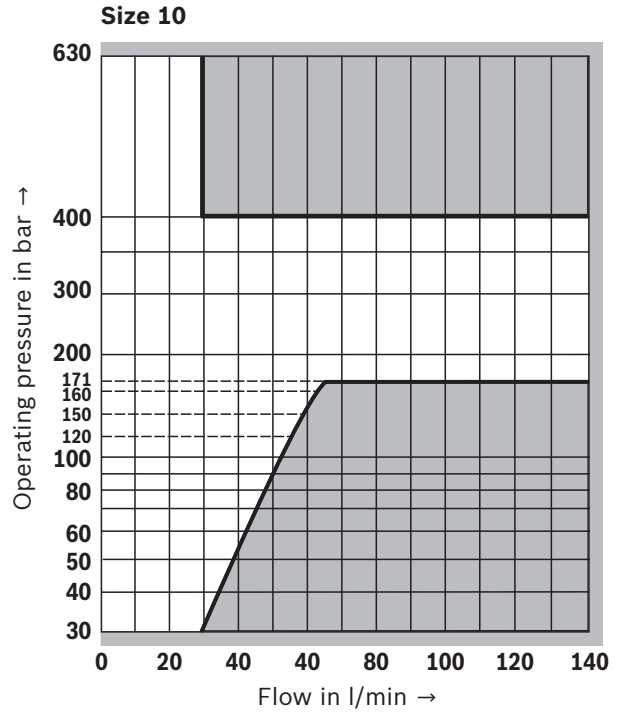
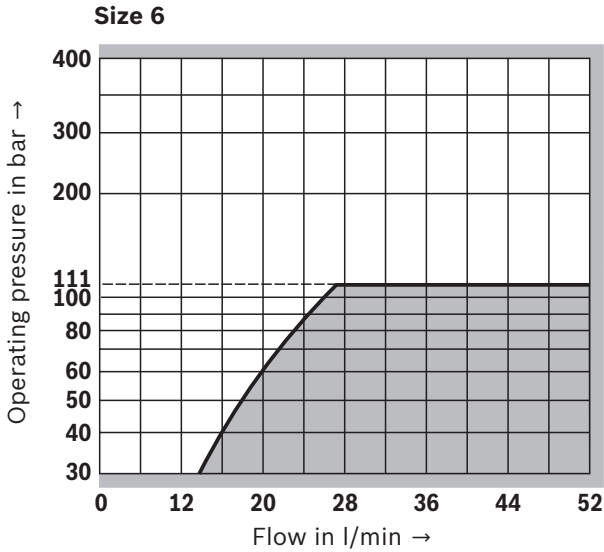
6	<input type="checkbox"/> Pipe thread according to ISO 228/1	no code
---	---	----------------

³⁾ When selecting the pressure rating, please observe the characteristic curves and notices on page 16.

Availability corrosion resistance (With type-examination procedure)

Type of connection	NG6	NG10	NG20	NG30
As screw-in cartridge valve "K"	no code, J5	no code, J5	no code, J5	no code, J5
For threaded connection "G"	no code, J3	no code, J3	no code, J3	no code, J3

Characteristic curves: Type-examination tested safety valves type DBD 1¹⁾

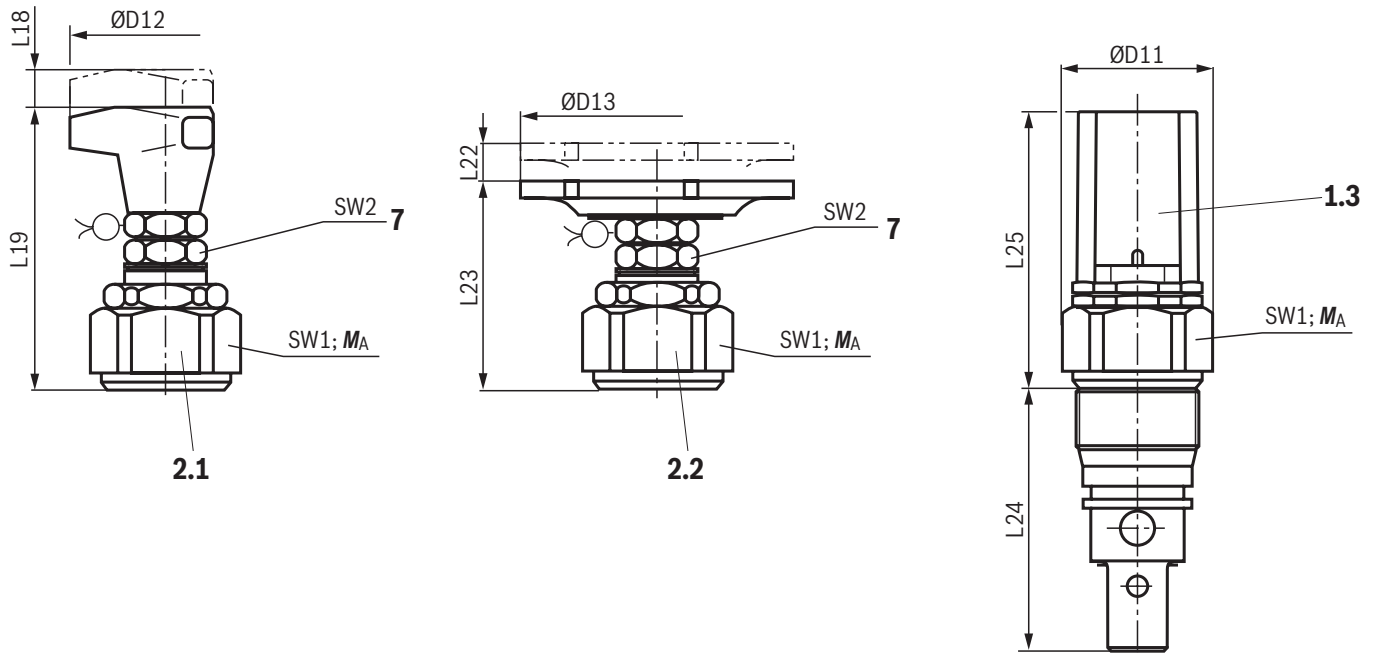


Notice:

Value pairs located in the areas of the characteristic curves with gray background can not be realized with the safety valve. The characteristic curves shown here are only valid for a counter pressure of 0 bar in the discharge line.

¹⁾ Component series 1X, according to the Pressure Equipment Directive 2014/68/EU

Deviating dimensions: Screw-in cartridge valve as type-examination tested safety valve type DBD ¹⁾ (dimensions in mm)



NG	ØD11	ØD12	ØD13	L18	L19	L22	L23	L24	L25
6	34	60	40	11	83	11	63	64.5	80
10	38	60	40	11	79	11	59	78.5	76.5
20	48	60	40	11	77	11	57	107	72.5
30	63	–	80	–	–	11	87	134	93

NG	SW1	SW2	Tightening torques M_A in Nm for screw-in cartridge valves ²⁾			Weight, approx. in kg
			Pressure rating in bar			
			up to 200	up to 400	up to 630	
6	32	19	50±5	80±5	–	0.4
10	36	19	100±5	150±10	200±10	0.5
20	46	19	150±10	300±15	–	1
30	60	19	350±20	500±30	–	2.2

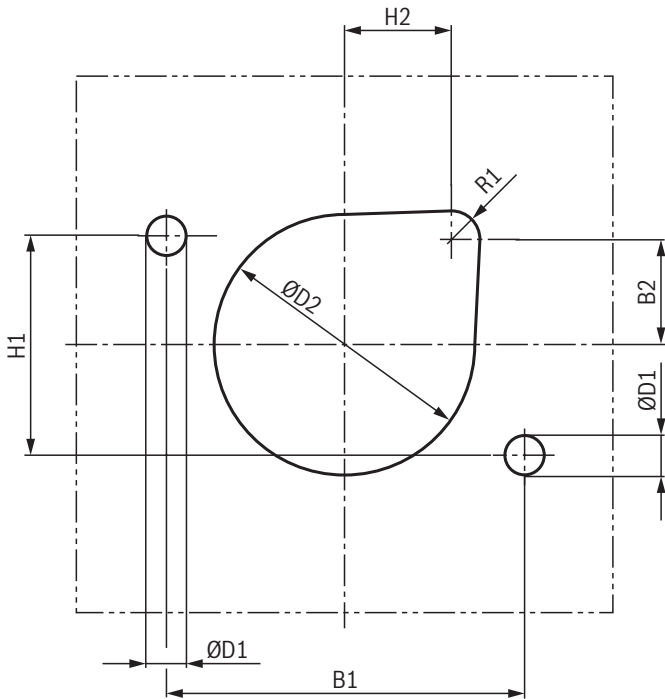
- 1.3 Adjustment type "S" – hexagon with safety cap
 2.1 Adjustment type "H" – rotary knob (see table below)
 2.2 Adjustment type "H" – hand wheel (see table below)
 7 Lock nut, tightening torque $M_A = 10^{+5}$ Nm

- ¹⁾ Component series 1X,
according to the Pressure Equipment Directive 2014/68/EU
²⁾ The tightening torques are guidelines with a friction coefficient
 $\mu_{\text{total}} = 0.12$ and when using a manual torque wrench.

Adjustment type for corrosion resistance

	NG6	NG10	NG20	NG30
Without corrosion protection	2.1	2.1	2.1	2.2
Version "J3" and "J5"	2.2	2.2	2.2	2.2

Dimensions: Sheet cut-out for front panel mounting with type-examination tested safety valves type DBD ¹⁾ (dimensions in mm)



NG	B1	B2	H1	H2
6	45	12.5	25	22.5
10	60	20.5	40	20.5
20	70	24	50	24
30	100	29.5	60	29.5

NG	ØD1H13	ØD2H13	R1
6	7	40	8
10	9	44	8
20	9	55	8
30	11	73	8

Notice:

With valves type DBDH.K..1X/..E, the hand wheel must be removed before the front panel assembly of the screw-in cartridge valve and reassembled afterwards.

- ¹⁾ Component series 1X, according to the Pressure Equipment Directive 2014/68/EU

Safety instructions: Type-examination tested safety valves type DBD ¹⁾

- ▶ Before ordering a type-examination tested safety valve, it must be observed that for the desired **response pressure p** , the maximum admissible **flow q_{Vmax}** of the safety valve must be larger than the maximum possible flow of the system/accumulator to be secured. According to the Pressure Equipment Directive **2014/68/EU**, the increase in the system pressure due to the flow must not exceed 10% of the set response pressure (see component marking page 15).
- ▶ The maximum admissible flow **q_{Vmax}** stated in the component marking must not be exceeded.
- ▶ Discharge lines of safety valves must end in a risk-free manner. An accumulation of fluids in the discharge system must **not** be possible (see data sheet AD2000 A2).



Application notes must always be observed

- ▶ In the plant, the response pressure specified in the component marking is set with a flow of 2 l/min.
- ▶ The maximum flow stated in the component marking applies for applications without counter pressure in the discharge line (port T).
- ▶ By removing the lead seal at the safety valve, the approval according to the Pressure Equipment Directive becomes void!
- ▶ Basically, the requirements of the Pressure Equipment Directive and of data sheet AD 2000 A 2 have to be observed.
- ▶ It is recommended to secure type-examination tested safety valves against inadmissible disassembly by means of wiring and sealing with the housing/block (bore available in the adjustment type).



Notice:

The system pressure increases by the counter pressure in the discharge line (port T) due to the increasing flow. (Observe the data sheet AD 2000 A 2, point 6.3)
To ensure that this increase in system pressure caused by the flow does not exceed the value of 10% of the set response pressure, the admissible flow has to be reduced dependent on the counter pressure in the discharge line (port T) (see characteristic curves page 19 ... 23).

¹⁾ Component series 1X, according to the Pressure Equipment Directive 2014/68/EU

Characteristic curves: Counter pressure in the discharge line

In principle, the valve should be operated without counter pressure in the discharge line, if possible. In case of counter pressure in the discharge line, the maximum possible flow is reduced. There is a relationship between maximum counter pressure **p_T** in the discharge line and flow **q_V** , which can be seen from the following characteristic curve. Characteristic curves for intermediate values of the response pressure which are not listed must be determined by means of interpolation.

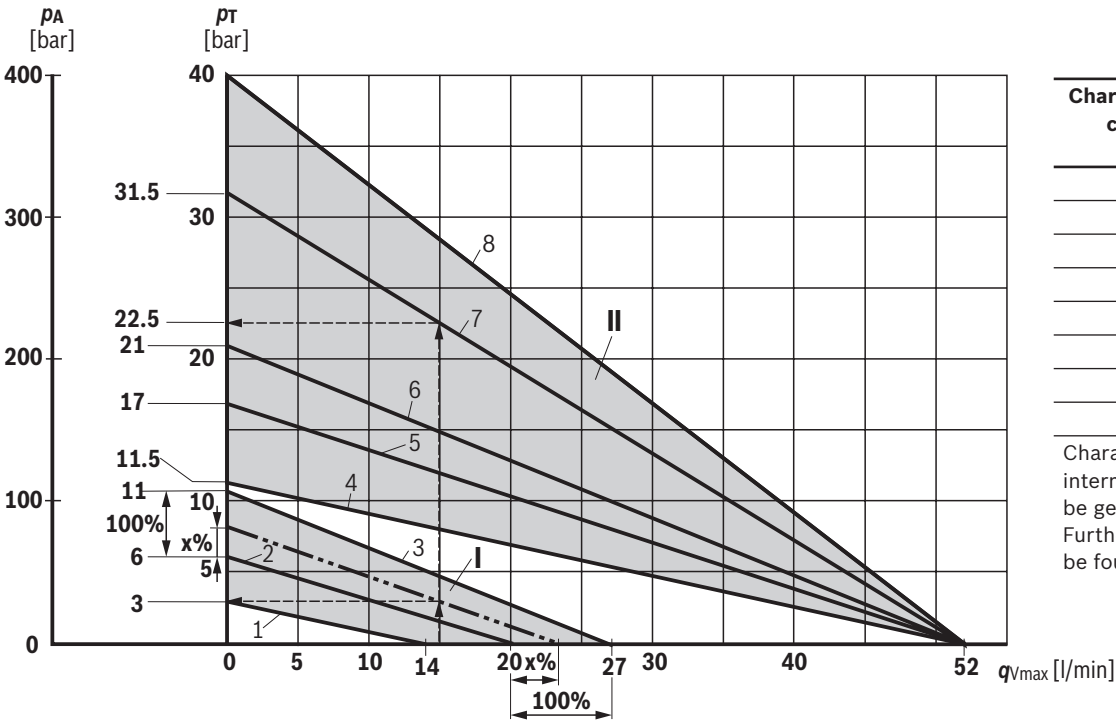
When the flow approaches zero, the maximum counter pressure **p_T** is in each case 10% of the response pressure. With increasing flow, the maximum counter pressure **p_T** decreases.

Interpolation of intermediate values from the diagram

1. At the axis **p_T** , mark 1/10 of the value of **p_A** .
2. Determine the next lower and the next higher characteristic curve for this point. The point marked at **p_T** divides the section between lower and higher characteristic curve on the **p_T** axis with a certain percentage.
3. At the **q_{Vmax}** axis, divide the section between next lower and next higher characteristic curve in the same percentage as the section at the **p_T** axis. From the zero position flow on the **q_{Vmax}** axis determined in that way, draw a straight line to the value on the **p_T** axis marked before.
4. Mark the system flow to be secured at the **q_{Vmax}** axis.
5. Read off the maximum counter pressure for this value using the line at the **p_T** axis drawn before.

Characteristic curves: Counter pressure in the discharge line – size 6

Diagram for determining the maximum counter pressure p_T in the discharge line at port T of the valve dependent on the flow q_{Vmax} for valves DBD. 6...1X/...E with different response pressures p_A .



Characteristic curves	Response pressure p_A in bar
1	30
2	60
3	110
4	115
5	170
6	210
7	315
8	400

Characteristic curves for intermediate values can be generated by interpolation. Further explanations can be found on page 19.

- p_A Response pressure in bar
- p_T Maximum counter pressure in the discharge line (port T) in bar
- q_{Vmax} Maximum flow in l/min
- I Interpolation area I, for valves with $p_A = 30 \dots 110$ bar and $q_{Vmax} = 14 \dots 27$ l/min
- II Interpolation area II, for valves with $p_A = 115 \dots 400$ bar and $q_{Vmax} = 52$ l/min

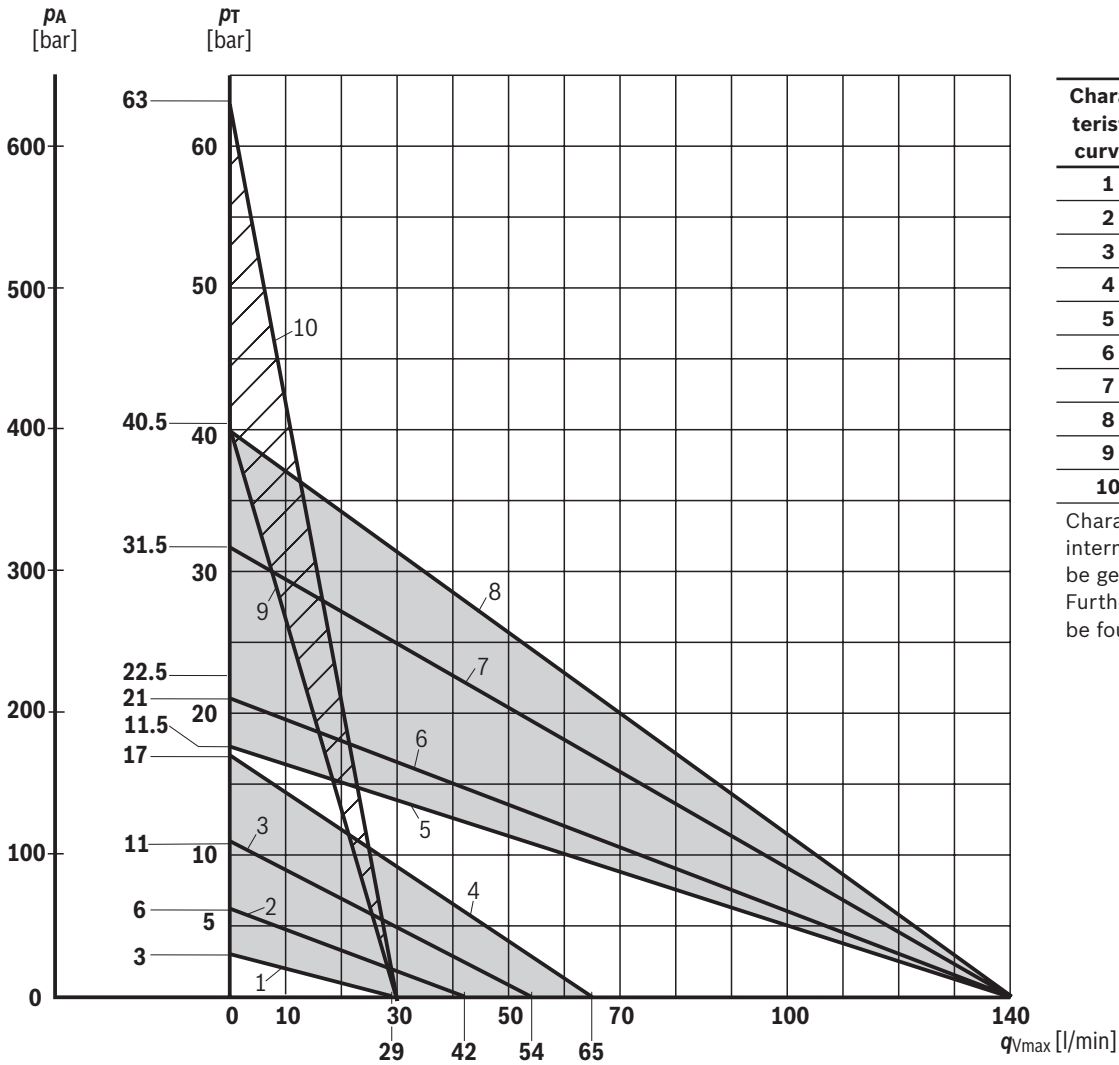
Determination of the maximum counter pressure

Example 1 (with already existing characteristic curve):
 Flow of the system / accumulator to be secured: $q_{Vmax} = 15$ l/min
 Safety valve set to: $p_A = 315$ bar.
 Read off the maximum counter pressure p_T of approx. 22.5 bar from the diagram (see arrows, characteristic curve 7).

Example 2 (with interpolated characteristic curve):
 Flow of the system / accumulator to be secured: $q_{Vmax} = 15$ l/min
 Safety valve set to: $p_A = 80$ bar.
 Value to be marked at the axis referred to as p_T :
 $1/10 \times 80$ bar = 8 bar.
 Read off the maximum counter pressure p_T of approx. 3 bar from the diagram (see arrows, dashed characteristic curve).



Characteristic curves: Counter pressure in the discharge line – size 10

Diagram for determining the maximum admissible counter pressure p_T in the discharge line at port T of the valve dependent on the flow q_{Vmax} for valves DBDH 10...1X/...E with different response pressures p_A .



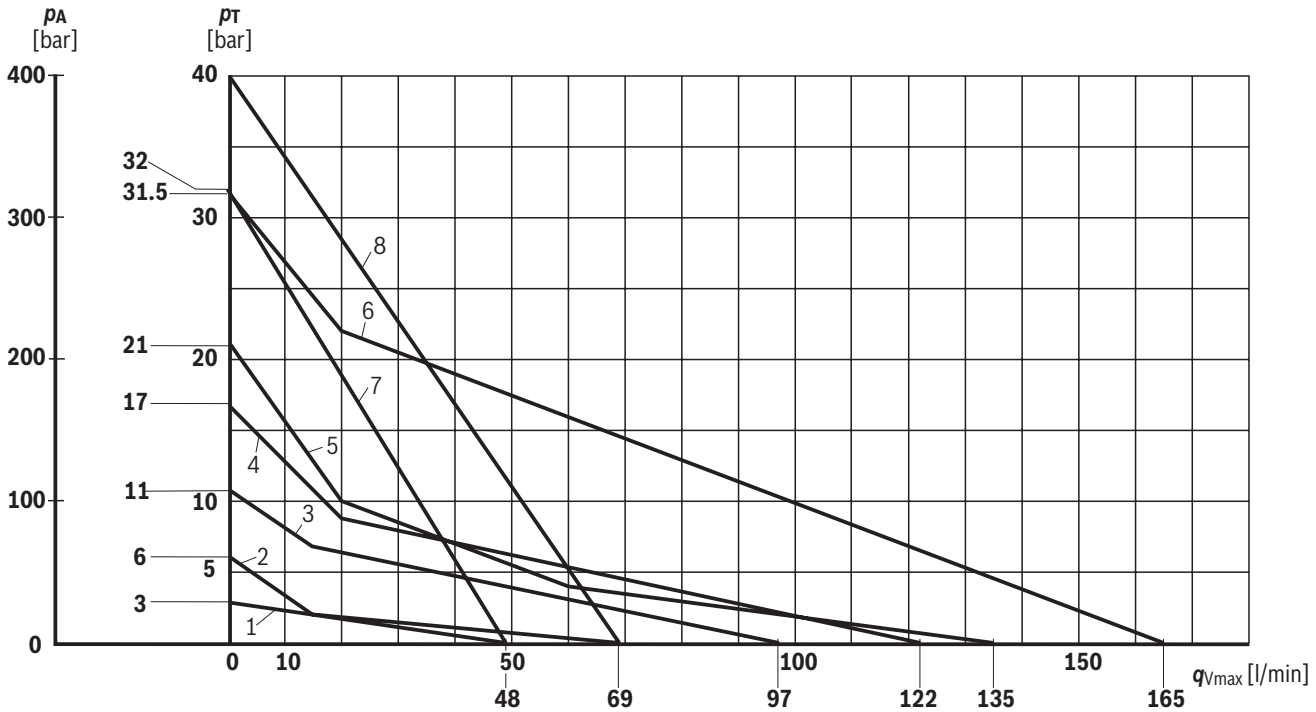
Characteristic curves	Response pressure p_A in bar
1	30
2	60
3	110
4	170
5	175
6	210
7	315
8	400
9	405
10	630

Characteristic curves for intermediate values can be generated by interpolation. Further explanations can be found on page 19.

- p_A Response pressure in bar
- p_T Maximum counter pressure in the discharge line (port T) in bar
- q_{Vmax} Maximum flow in l/min
-  Interpolation areas
- 

Characteristic curves: Counter pressure in the discharge line – size 20

Diagram for determining the maximum admissible counter pressure p_T in the discharge line at port T of the valve dependent on the flow q_{Vmax} for valves DBDH 20...1X/...E with different response pressures p_A .



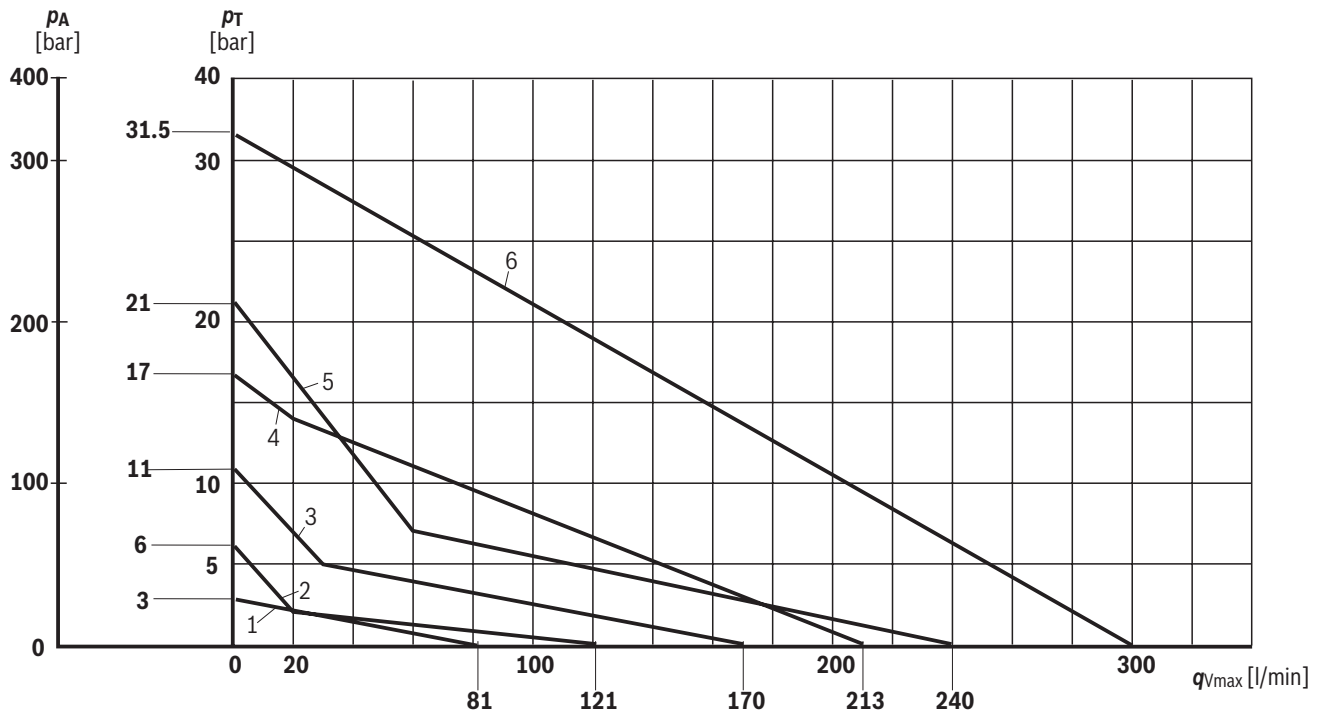
- p_A Response pressure in bar
- p_T Maximum counter pressure in the discharge line (port T) in bar
- q_{Vmax} Maximum flow in l/min

Characteristic curves	Response pressure p_A in bar
1	30
2	60
3	110
4	170
5	210
6	315
7	320
8	400

Characteristic curves for intermediate values can be generated by interpolation. Further explanations can be found on page 19

Characteristic curves: Counter pressure in the discharge line – size 30

Diagram for determining the maximum admissible counter pressure p_T in the discharge line at port T of the valve dependent on the flow q_{Vmax} for valves DBDH 30...1X/...E with different response pressures p_A .



p_A Response pressure in bar
 p_T Maximum counter pressure in the discharge line (port T) in bar
 q_{Vmax} Maximum flow in l/min

Characteristic curves	Response pressure p_A in bar
1	30
2	60
3	110
4	170
5	210
6	315

Characteristic curves for intermediate values can be generated by interpolation. Further explanations can be found on page 19.

Further information

- ▶ Safety equipment against excessive pressure – safety valves
 - ▶ Subplates
 - ▶ Hydraulic fluids on mineral oil basis
 - ▶ Environmentally compatible hydraulic fluids
 - ▶ Flame-resistant, water-free hydraulic fluids
 - ▶ Flame-resistant hydraulic fluids - containing water (HFAE, HFAS, HFB, HFC)
 - ▶ Reliability characteristics according to EN ISO 13849
 - ▶ Use of non-electrical hydraulic components in an explosive environment (ATEX)
 - ▶ Hydraulic valves for industrial applications
 - ▶ Selection of filters
- Data sheet AD 2000 A 2
Data sheet 45100
Data sheet 90220
Data sheet 90221
Data sheet 90222
Data sheet 90223
Data sheet 08012
Data sheet 07011
Operating instructions 07600-B
www.boschrexroth.com/filter

Bosch Rexroth AG
Industrial Hydraulics
Zum Eisengießer 1
97816 Lohr am Main, Germany
Phone +49 (0) 93 52/40 30 20
my.support@boschrexroth.de
www.boschrexroth.de

© All rights reserved to Bosch Rexroth AG, also regarding any disposal, exploitation, reproduction, editing, distribution, as well as in the event of applications for industrial property rights.
The data specified above only serve to describe the product. No statements concerning a certain condition or suitability for a certain application can be derived from our information. The information given does not release the user from the obligation of own judgment and verification.
Please note that our products are subject to a natural process of wear and aging.