

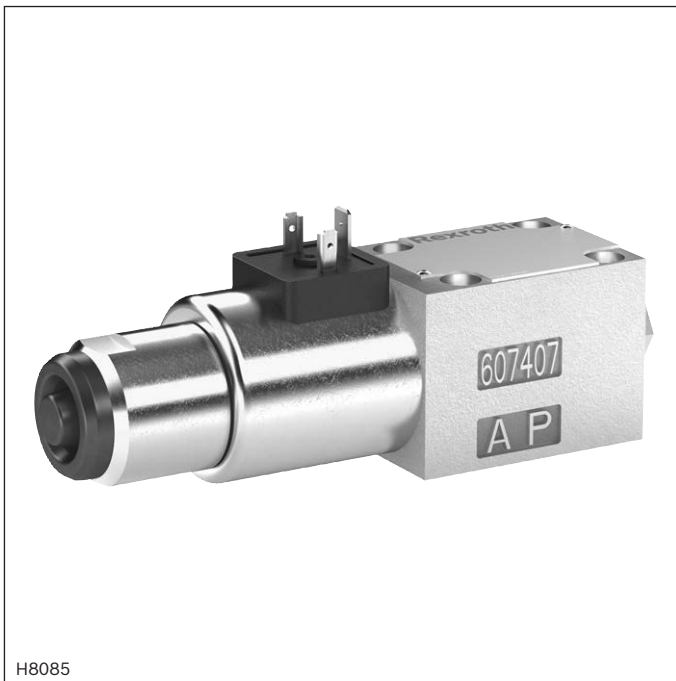
Directional seat valves, direct operated, with solenoid actuation

Type SED ...XN

RE 22049-XN

Edition: 2018-07

Replaces: 2016-04



- ▶ Size 6
- ▶ Component series 1X
- ▶ Maximum operating pressure 350 bar
- ▶ Maximum flow 25 l/min



ATEX units

For potentially explosive atmospheres



Information on explosion protection:

- ▶ Area of application in accordance with the Explosion Protection Directive 2014/34/EU: **II 3G; II 3D**
- ▶ Area of application according to technical rules EAC TR CU 012/2011: **II 3G; II 3D**
- ▶ Type of protection of the valve solenoids:
 - Ex ec IIC T3 Gc acc. to EN 60079-7
 - Ex tc IIIC T140°C Dc according to EN 60079-31

Features

- ▶ 3/2 or 4/2-way version
- ▶ For intended use in potentially explosive atmosphere
- ▶ Porting pattern according to ISO 4401-03-02-0-05 (but without locating hole)
- ▶ Wet-pin DC solenoids
- ▶ Safe switching also with longer standstill periods under pressure
- ▶ Solenoid coil rotatable by 90°
- ▶ Electrical connection with individual connection
- ▶ With manual override, optional

Contents

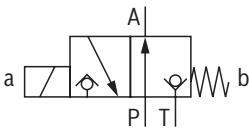
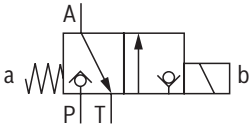
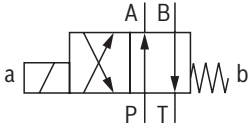
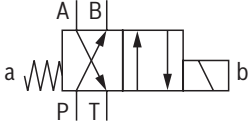
Features	1
Ordering code	2, 3
Function, section, symbols	4, 5
Technical data	6, 7
Switching times	8
Performance limits	8
Characteristic curves	9
Dimensions	10 ... 13
Installation conditions	14
Throttle insert	14
Check valve insert	14
Electrical connection	15
General information	15
Accessories	16
Further information	16

Ordering code

01	02	03	04	05	06	07	08	09	10	11	12	13	14			
M	-		SED	6		1X	/	350	C	G24		XN	K4	/		

01	Mineral oil	M
02	3 main ports	3
	4 main ports	4
03	Seat valve	SED
04	Size 6	6

Symbols

05	Main ports	3	4	
		✓	-	UK
		✓	-	CK
		-	✓	D
		-	✓	Y

06	Component series 10 ... 19 (10 ... 19: unchanged installation and connection dimensions)	1X
07	Operating pressure 350 bar	350
08	Wet-pin solenoid with detachable coil	C

Voltage

09	Direct voltage 24 V	G24
10	With concealed manual override	N9
	Without manual override	no code

Explosion protection

11	"Not igniting", For details, see information on the explosion protection page 7	XN
----	--	-----------

Electrical connection

12	Individual connection	
	Solenoid without mating connector	K4
	For details of electrical connections, see page 15	


Ordering code

01	02	03	04	05	06	07	08	09	10	11	12	13	14	
M	-	SED	6		1X	/	350	C	G24		XN	K4	/	

13	Without check valve insert, without throttle insert	no code
	Throttle Ø 1.2 mm	B12
	Throttle Ø 1.5 mm	B15
	Throttle Ø 1.8 mm	B18
	Throttle Ø 2.0 mm	B20
	Throttle Ø 2.2 mm	B22

Seal material

14	NBR seals	no code
	FKM seals	V
	Observe compatibility of seals with hydraulic fluid used.	

 **Notice:**

Representation of the symbols according to DIN ISO 1219-1.

Function, section, symbols: 3/2 directional seat valve

General information

Directional valves of the type SED are direct operated directional seat valves with solenoid actuation. They control start, stop and direction of flow.

Directional valves basically comprise the housing (1), the solenoid (2), the valve seats (7) and (11) and the control spool (4).

The manual override (6) allows for the switching of the valve without solenoid energization.

Basic principle

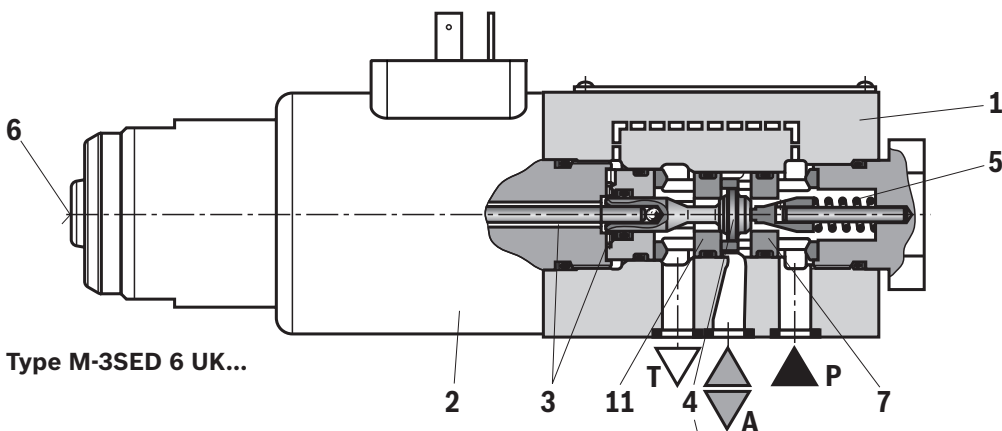
The initial position of the valve (normally open "UK" or normally closed "CK") is determined by the arrangement of the spring (5). The chamber (3) behind the control spool (4) is connected to port P and sealed against port T. Thus, the valve is pressure-compensated in relation to the actuating forces (solenoid and spring).

By means of the control spool (4), the ports P, A and T can be loaded with the maximum operating pressure (350 bar) and the flow can be directed in both directions (see symbols).

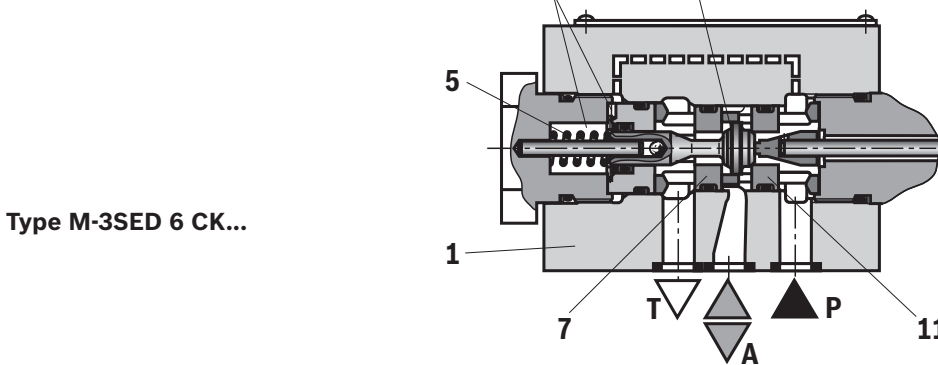
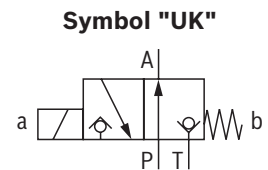
In the initial position, the control spool (4) is pressed onto the seat (11) by the spring (5); in spool position, it is pressed onto the seat (7) by the solenoid (2). The flow is blocked.

The flow is blocked.

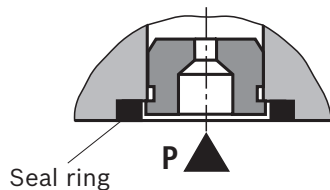
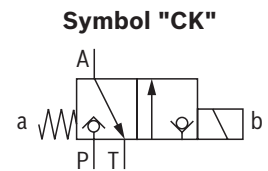
Seat valves can be used according to the spool symbols as well as the assigned operating pressures and flows (see performance limits, page 8).



Type M-3SED 6 UK...



Type M-3SED 6 CK...



Throttle insert "...B"

The use of a throttle insert is required when, due to prevailing operating conditions, flows occur during the switching processes, which exceed the performance limit of the valve.

Function, section, symbols: 4/2 directional seat valve

With a sandwich plate, the **Plus-1 subplate**, under the 3/2 directional seat valve, the function of a 4/2 directional seat valve is achieved.

Function of the Plus-1 subplate

- ▶ **Initial position:**
The main valve is not actuated. The spring (5) holds the control spool (4) on the seat (11). Port P is blocked and A is connected to T. Apart from that, one control line is connected from A to the large area of the control spool (8), which is thus unloaded to the tank. The pressure applied via P now pushes the ball (9) onto the seat (10). Now, P is connected to B, and A to T.
- ▶ **Transition position:**
When the main valve is actuated, the control spool (4) is shifted against the spring (5) and pressed onto the seat (7). During this, port T is blocked, P, A, and B are briefly connected to each other.
- ▶ **Spool position:**
P is connected to A. As the pump pressure acts via A on the large area of the control spool (8), the ball (9) is pressed onto the seat (12). Thus, B is connected to T,

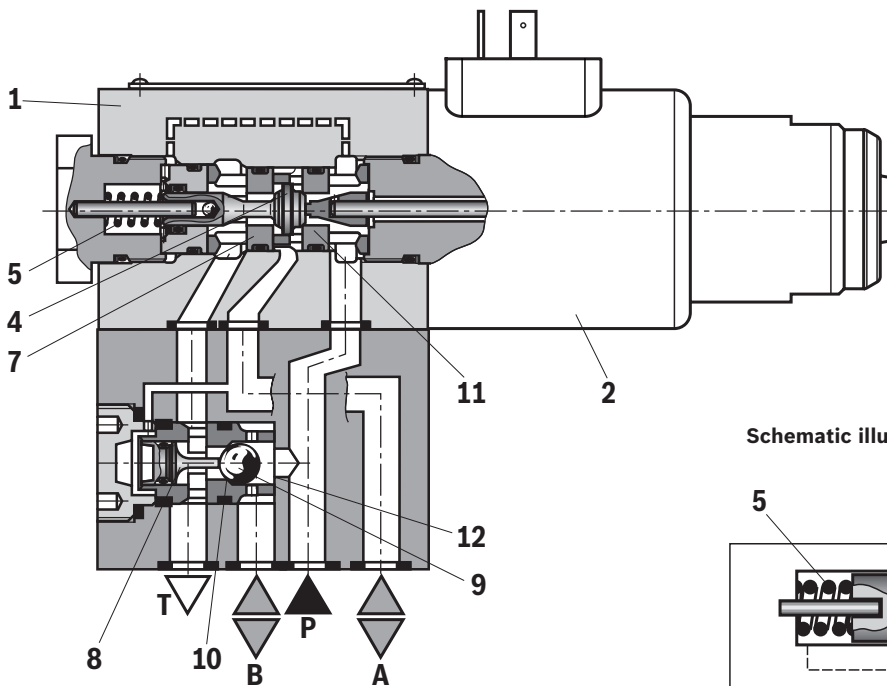
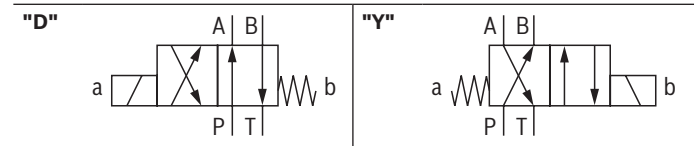
and P to A. The ball (9) in the Plus-1 subplate has a "positive spool overlap".

Notice:

If the annulus area of differential cylinders is not connected to port A, a pressure peak is created in port B during the switching process. This pressure peak may exceed the maximum admissible operating pressure over the permissible limit!

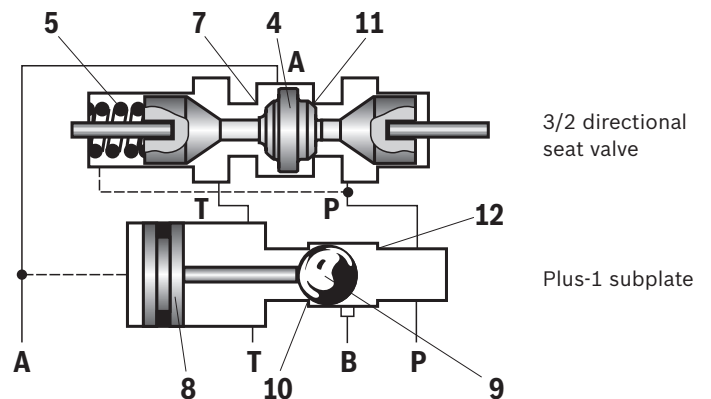
The use of the Plus-1 subplate and the seat arrangement offer the following options:

Symbols



Type M-4SED 6 Y...

Schematic illustration (initial position)



Technical data

(For applications outside these parameters, please consult us.)

general							
Installation position	any						
Ambient temperature range	°C -20 ... +50 ¹⁾						
Storage temperature range	°C +5 ... +40						
Maximum storage time	Years 1						
Weight	<table border="0"> <tr> <td>▶ 3/2 directional seat valve</td> <td>kg</td> <td>2.2</td> </tr> <tr> <td>▶ 4/2 directional seat valve</td> <td>kg</td> <td>3.2</td> </tr> </table>	▶ 3/2 directional seat valve	kg	2.2	▶ 4/2 directional seat valve	kg	3.2
▶ 3/2 directional seat valve	kg	2.2					
▶ 4/2 directional seat valve	kg	3.2					
Surface protection	Galvanized						

hydraulic	
Maximum operating pressure	bar See table page 8
Maximum flow	l/min 25
Hydraulic fluid	See table below
Hydraulic fluid temperature range	°C -20 ... +80 (NBR seals) ²⁾ -15 ... +80 (FKM seals) ²⁾
Viscosity range	mm ² /s 2.8 ... 500
Maximum admissible degree of contamination of the hydraulic fluid; Cleanliness class according to ISO 4406 (c)	Class 20/18/15 ³⁾
Maximum surface temperature	°C See information on explosion protection, page 7

Hydraulic fluid	Classification	Suitable sealing materials	Standards	Data sheet
Mineral oils	HL, HLP, HLPD	NBR, FKM	DIN 51524	90220
Bio-degradable	▶ Insoluble in water	HETG	ISO 15380	90221
		HEES		
	▶ Soluble in water	HEPG	ISO 15380	

**Important information on hydraulic fluids:**

- ▶ For further information and data on the use of other hydraulic fluids, please refer to the data sheets above or contact us.

- ▶ There may be limitations regarding the technical valve data (temperature, pressure range, life cycle, maintenance intervals, etc.).
- ▶ Ignition temperature > 190 °C

- 1) Maximum 40 °C when using the cable sets DS2513 (see page 16)
- 2) Observe the "Special application conditions for safe application" on page 7.

- 3) The cleanliness classes specified for the components must be adhered to in hydraulic systems. Effective filtration prevents faults and simultaneously increases the life cycle of the components.
- Available filters can be found at www.boschrexroth.com/filter.

electric	
Voltage type	Direct voltage
Available voltages	V 24
Voltage tolerance (nominal voltage)	% ±10
Admissible residual ripple	% < 5
Duty cycle / operating mode according to VDE 0580	S1 (continuous operation)
Rated current	mA 950
Switching times according to ISO 6403 ⁴⁾	ms See table on page 8
Maximum switching frequency	Hz 1
Switch-off voltage peak Solenoid	V 500, suitable damping by user required
Nominal power at ambient temperature 20 °C	W 23
Maximum power with 1.1 x nominal voltage and ambient temperature 20 °C	W 28.8
Protection class according to EN 60529	IP 65 ⁵⁾

Technical data

(For applications outside these parameters, please consult us.)

Information on explosion protection – Directive 2014/34/EU		
Area of application	II 3G	II 3D
Type of protection valve	c (EN 13463-5)	
Type of protection valve solenoid according to EN 60079-7 / EN 60079-31	Ex ec IIC T3 Gc	Ex tc IIIC T140°C Dc
Maximum surface temperature ⁶⁾	°C 140	
Temperature class	T3	
Type examination certificate of solenoid	BVS 12 ATEX E 062 X	
Requirements for the mating connector		
Temperature rating	°C	≥ 100 ⁷⁾
Area of application according to directive 2014/34/EU	II 3G; II 3D	
Protection class in plugged condition	IP 65 ⁵⁾	

information on explosion protection – Technical rules EAC TR CU 012/2011		
Area of application	II 3G	II 3D
Type of protection marking of valve	2Ex nA II T3 Gc X	Ex tc IIIC T140°C Dc X
Maximum surface temperature ⁶⁾	°C 140	
Temperature class	T3	
Certificate of conformity	№ TC RU C-DE.ГБ08.B.02161	

- 4) The switching times were determined at a hydraulic fluid temperature of 40 °C and a viscosity of 46 cSt. Deviating hydraulic fluid temperatures can result in different switching times! Switching times change dependent on operating time and application conditions.
- 5) If a suitable mating connector and a correctly mounted electric connection are used.
- 6) Surface temperature > 50 °C, provide contact protection.
- 7) Transfer temperature at the connector of the valve solenoid 85 °C at ambient temperature 40 °C.

Special application conditions for safe application:

- ▶ Connection lines must be passed in a strain-relieved way.
- ▶ The valve is to be installed so that no impact stresses > 4 J can take effect.
- ▶ In order to avoid dangers caused by static charge, the base and/or subplate on which the valve is to be fitted must be electrically conductive and included in the equipotential bonding.
- ▶ The valve solenoid must not be installed close to charge generating processes.
- ▶ Dust layers with a thickness > 50 mm are not admissible.
- ▶ Maximum hydraulic fluid temperature:
In case of bank assembly, as long as only one solenoid is energized at a time, and in case of individual assembly: +80 °C
In case of bank assembly when more than one solenoid is energized simultaneously: +65 °C
- ▶ The maximum temperature of the surface of the valve jacket is 110 °C. This has to be considered when selecting the connection cable and/or contact of the connection cable with the surface of the jacket is to be prevented.

Switching times (installation position: solenoid horizontal)

Pressure p in bar	Flow q_V in l/min	Switching times t in ms					
		t_{ON} (without tank pressure)				t_{OFF}	
		UK	CK	D	Y	CK, UK	D, Y
70	25	40	45	45	50	10	10
140	25	45	45	50	50	10	15
210	25	50	45	55	50	15	20
280	25	55	50	60	55	20	20
315	25	60	50	65	55	20	20
350	25	70	50	75	55	20	25

Notice:

The switching times were determined at a hydraulic fluid temperature of 40 °C and a viscosity of 46 cSt. Deviating hydraulic fluid temperatures can result in different switching times! Switching times change dependent on operating time and application conditions.

Performance limits

(measured with HLP46, $\vartheta_{oil} = 40 \pm 5 \text{ }^\circ\text{C}$)

	Symbol	Comment	Operating pressure in bar				Flow in l/min
			P	A	B	T	
2-way circuit	UK 	With 2/2-way circuits, port P or T must be closed.	350	350		350	25
	CK 		350	350		350	25
3-way circuit	UK 		350	350		350	25
	CK 		350	350		350	25
4-way circuit (flow only possible in the direction of arrow)	D 	3/2 directional valve (symbol "UK") in connection with Plus-1 subplate: $p_P \geq p_A \geq p_B \geq p_T$	350	350	350	$p_P/p_A/p_B$ -40	25
	Y 	3/2 directional valve (symbol "CK") in connection with Plus-1 subplate: $p_P \geq p_A \geq p_B \geq p_T$	350	350	350	$p_P/p_A/p_B$ -40	25

Notices:

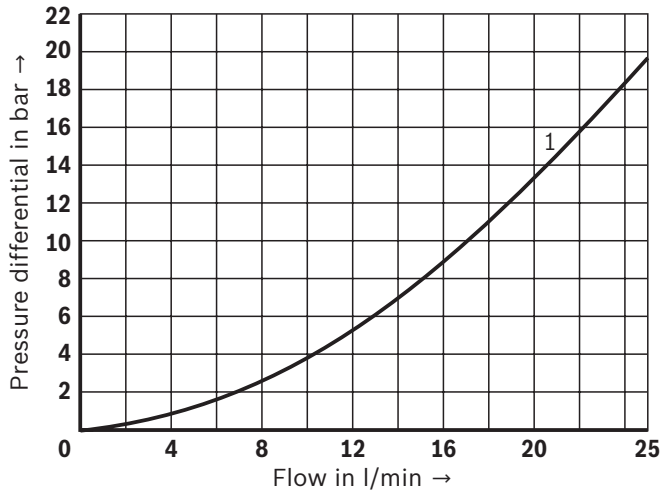
▶ Please observe the general information, page 15.

▶ The performance limits were determined when the solenoids were at operating temperature, at 10% undervoltage and without tank preloading.

Characteristic curves

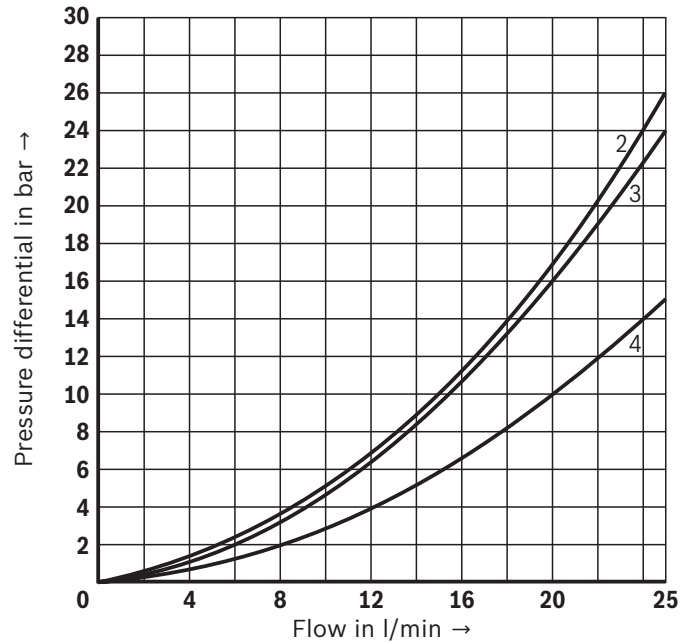
(measured with HLP46, $\vartheta_{oil} = 40 \pm 5 \text{ }^\circ\text{C}$)

Δp - q_v characteristic curves
3/2 directional seat valve



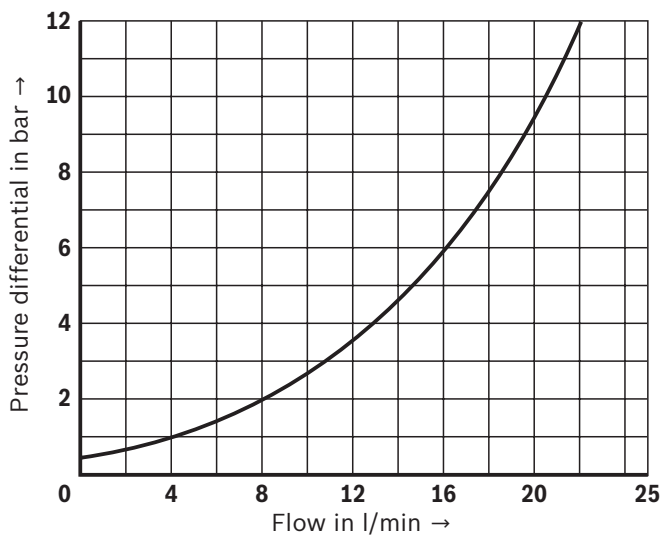
1 P → A, A → T

Δp - q_v characteristic curves
4/2 directional seat valve

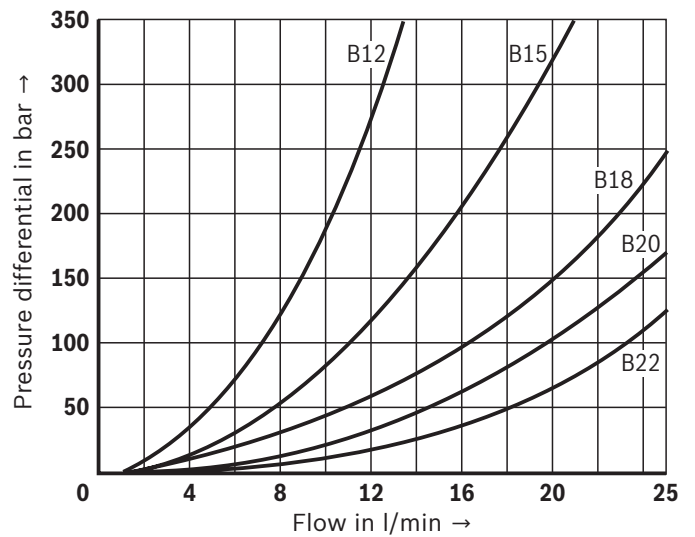


2 A → T
3 P → A
4 B → T, P → B

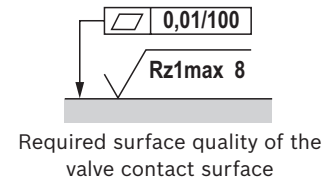
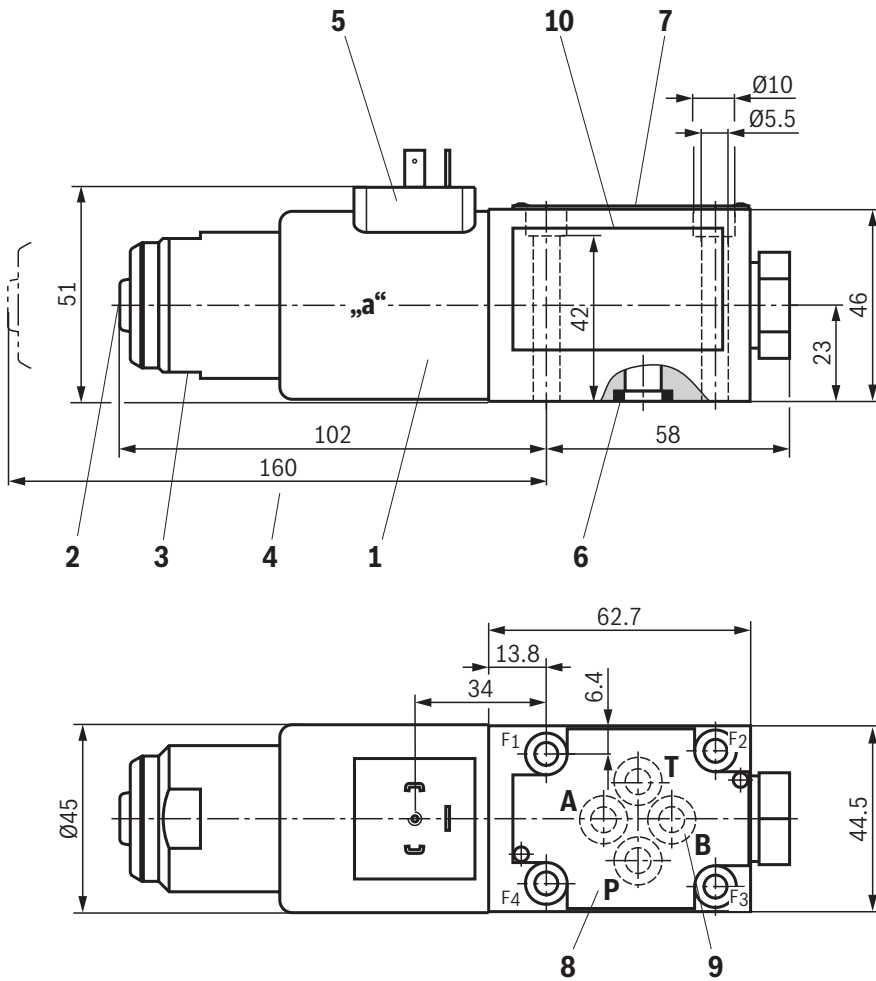
Δp - q_v characteristic curves
Check valve insert



Δp - q_v characteristic curves
Throttle insert



Dimensions: 3/2 directional seat valve – version "UK"
(dimensions in mm)



- 1 Solenoid coil
- 2 Concealed manual override "N9"
- 3 Mounting nut with double edge, wrench size 32
- 4 Space required to remove the solenoid coil
- 5 Plug-in connector according to EN 175301-803, design A (cable sets, separate order, see page 16 and data sheet 08006).
- 6 Identical seal rings for ports A, B, T, seal ring for port P
- 7 Name plate
- 8 Porting pattern according to ISO 4401-03-02-0-05 (however, without locating hole)
- 9 Port B is designed as blind counterbore
- 10 Name plate sticker

Valve mounting screws (separate order)

For reasons of stability, use exclusively the following valve mounting screws:

4 hexagon socket head cap screws

ISO 4762 - M5 x 50 - 10.9

(friction coefficient $\mu_{\text{total}} = 0.09 \dots 0.14$);

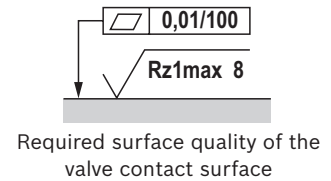
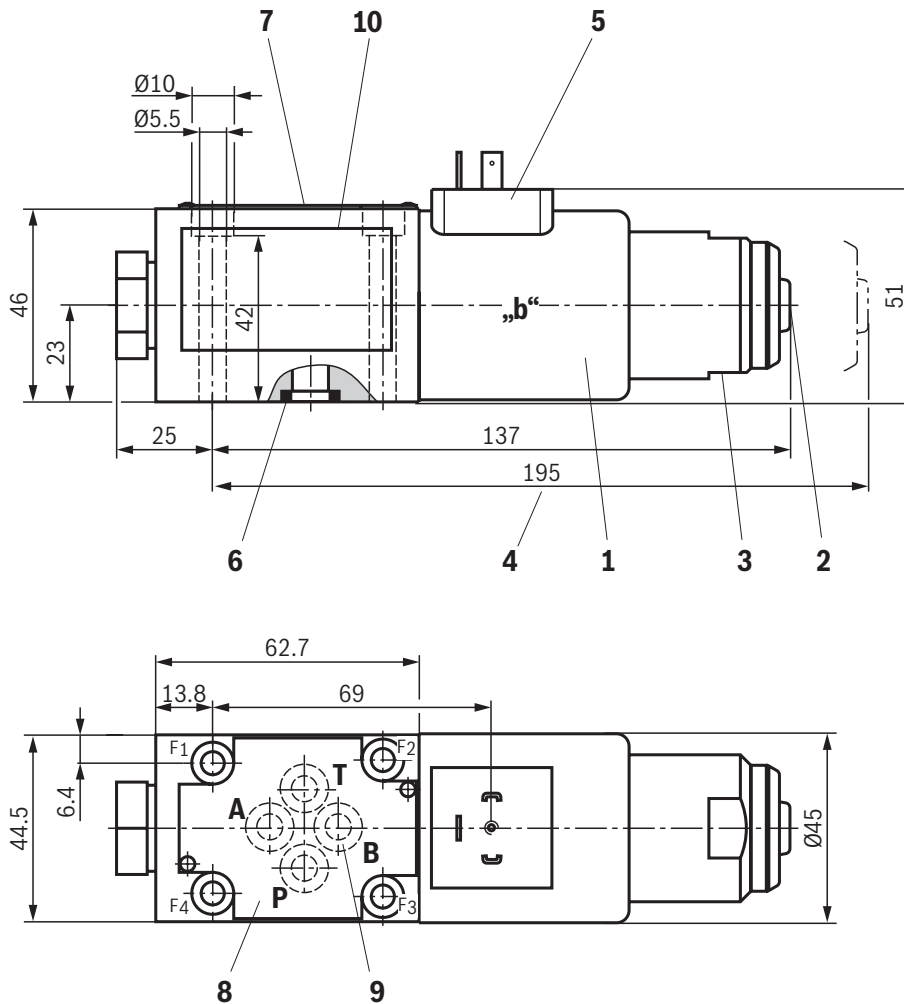
material no. **R913043758**

Subplates (separate order) with porting pattern according to ISO 4401-03-02-0-05, see data sheet 45100.

Notices:

- ▶ Subplates are no components in the sense of directive 2014/34/EU and can be used after the manufacturer of the overall system has conducted an assessment of the risk of ignition. The "G...J3" versions are free from aluminum and/or magnesium and galvanized.
- ▶ The dimensions are nominal dimensions which are subject to tolerances.

Dimensions: 3/2 directional seat valve – version "CK"
(dimensions in mm)



- 1 Solenoid coil
- 2 Concealed manual override "N9"
- 3 Mounting nut with double edge, wrench size 32
- 4 Space required to remove the solenoid coil
- 5 Plug-in connector according to EN 175301-803, design A (cable sets, separate order, see page 16 and data sheet 08006.
- 6 Identical seal rings for ports A, B, T, seal ring for port P
- 7 Name plate
- 8 Porting pattern according to ISO 4401-03-02-0-05 (however, without locating hole)
- 9 Port B is designed as blind counterbore
- 10 Name plate sticker

Valve mounting screws (separate order)

For reasons of stability, use exclusively the following valve mounting screws:

4 hexagon socket head cap screws

ISO 4762 - M5 x 50 - 10.9

(friction coefficient $\mu_{\text{total}} = 0.09 \dots 0.14$);

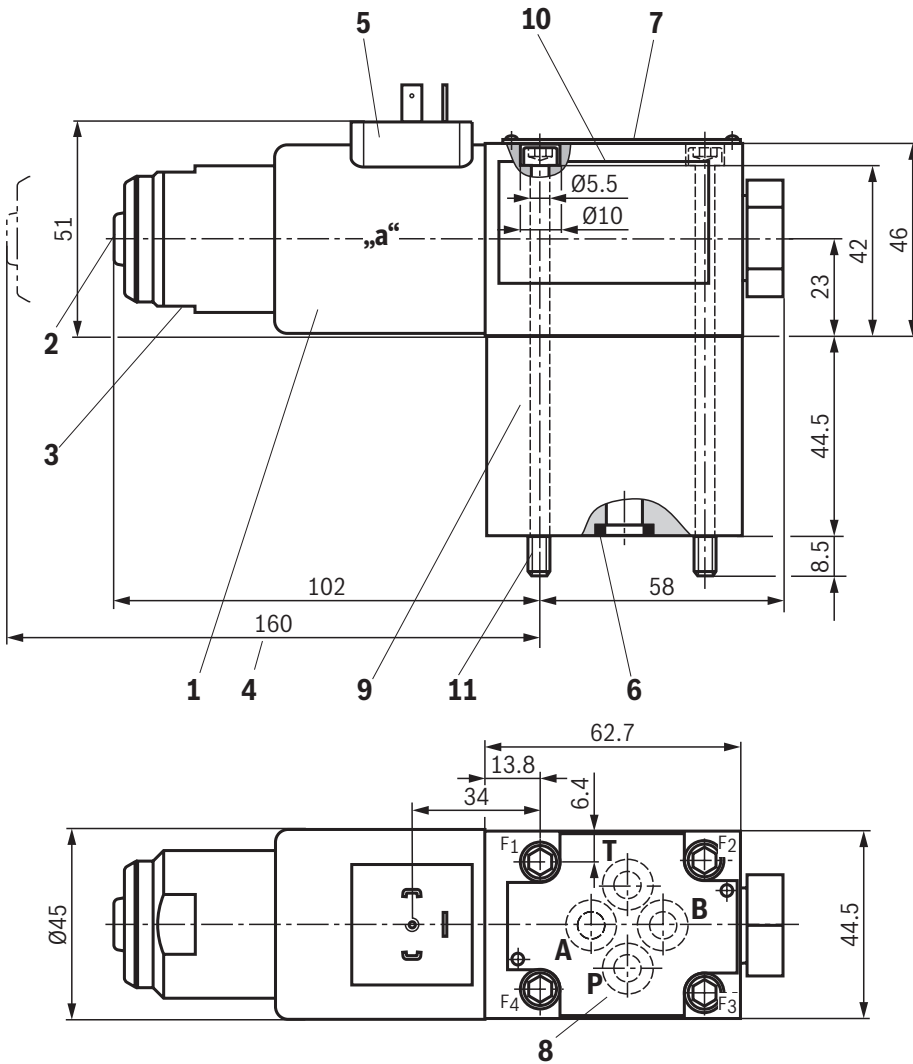
material no. **R913043758**

Subplates (separate order) with porting pattern according to ISO 4401-03-02-0-05, see data sheet 45100.

Notices:

- ▶ Subplates are no components in the sense of directive 2014/34/EU and can be used after the manufacturer of the overall system has conducted an assessment of the risk of ignition. The "G...J3" versions are free from aluminum and/or magnesium and galvanized.
- ▶ The dimensions are nominal dimensions which are subject to tolerances.

Dimensions: 4/2 directional seat valve – version "D"
(dimensions in mm)



Required surface quality of the valve contact surface

- 1 Solenoid coil
- 2 Concealed manual override "N9"
- 3 Mounting nut with double edge, wrench size 32
- 4 Space required to remove the solenoid coil
- 5 Plug-in connector according to EN 175301-803, design A (cable sets, separate order, see page 16 and data sheet 08006.
- 6 Identical seal rings for ports A, B, T, seal ring for port P
- 7 Name plate
- 8 Porting pattern according to ISO 4401-03-02-0-05 (however, without locating hole)
- 9 Plus-1 subplate
- 10 Name plate sticker
- 11 Valve mounting screws

Valve mounting screws (included within the scope of delivery)

For reasons of stability, use exclusively the following valve mounting screws:

4 hexagon socket head cap screws

ISO 4762 - M5 x 95 - 10.9

(friction coefficient $\mu_{total} = 0.09 \dots 0.14$);

material no. **R913051579**

Subplates (separate order) with porting pattern according to

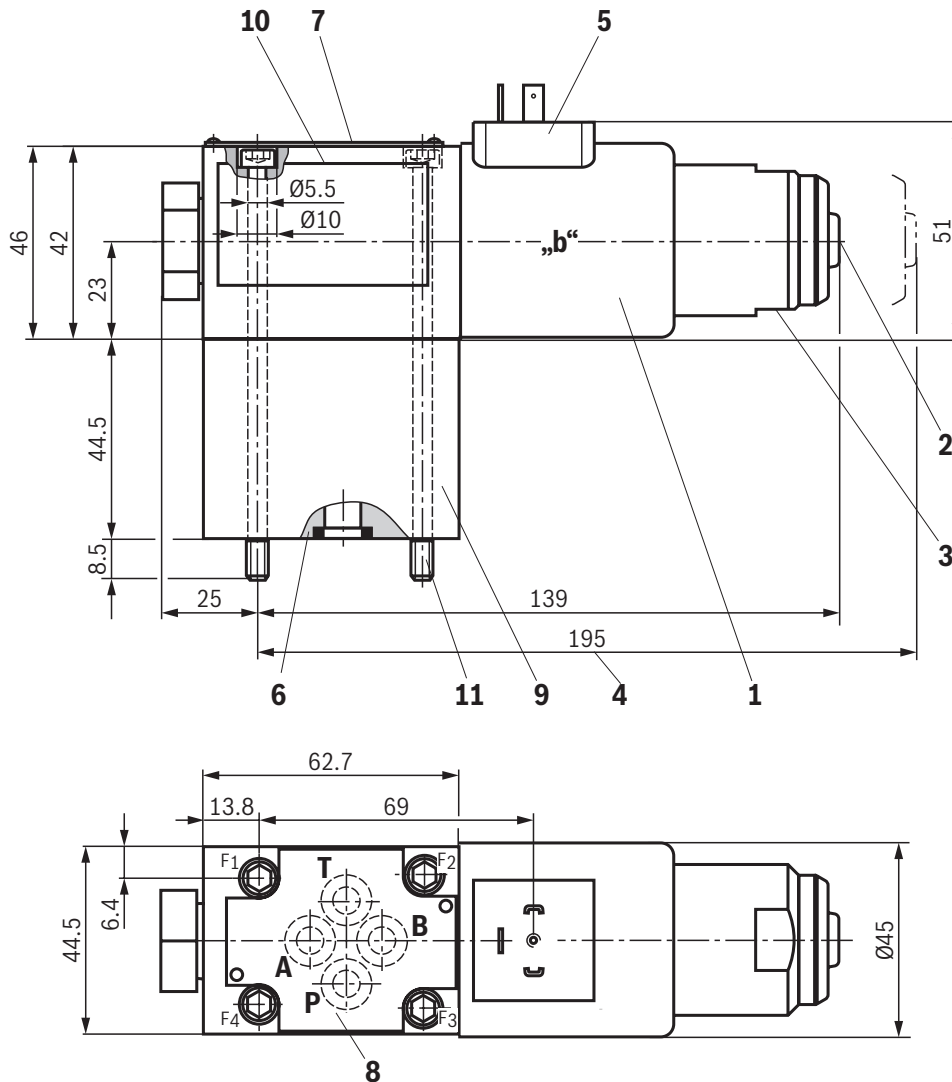
ISO 4401-03-02-0-05, see data sheet 45100.



Notices:

- ▶ Subplates are no components in the sense of directive 2014/34/EU and can be used after the manufacturer of the overall system has conducted an assessment of the risk of ignition. The "G...J3" versions are free from aluminum and/or magnesium and galvanized.
- ▶ The dimensions are nominal dimensions which are subject to tolerances.

Dimensions: 4/2 directional seat valve – version "Y"
(dimensions in mm)



- 1 Solenoid coil
- 2 Concealed manual override "N9"
- 3 Mounting nut with double edge, wrench size 32
- 4 Space required to remove the solenoid coil
- 5 Plug-in connector according to EN 175301-803, design A (cable sets, separate order, see page 16 and data sheet 08006.
- 6 Identical seal rings for ports A, B, T, seal ring for port P
- 7 Name plate
- 8 Porting pattern according to ISO 4401-03-02-0-05 (however, without locating hole)
- 9 Plus-1 subplate
- 10 Name plate sticker
- 11 Valve mounting screws

Valve mounting screws (included within the scope of delivery)

For reasons of stability, use exclusively the following valve mounting screws:

4 hexagon socket head cap screws

ISO 4762 - M5 x 95 - 10.9

(friction coefficient $\mu_{total} = 0.09 \dots 0.14$);

material no. **R913051579**

Subplates (separate order) with porting pattern according to

ISO 4401-03-02-0-05, see data sheet 45100.



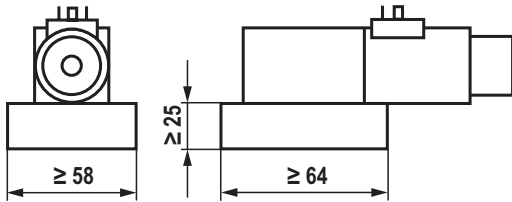
Notices:

- ▶ Subplates are no components in the sense of directive 2014/34/EU and can be used after the manufacturer of the overall system has conducted an assessment of the risk of ignition. The "G...J3" versions are free from aluminum and/or magnesium and galvanized.
- ▶ The dimensions are nominal dimensions which are subject to tolerances.

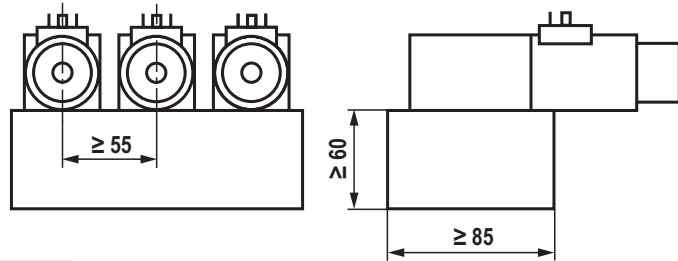
Installation conditions (dimensions in mm)

	Individual assembly	Bank assembly
Subplate dimensions	Minimum dimensions Length ≥ 64 , width ≥ 58 , height ≥ 25	Minimum cross-section Height ≥ 60 , width ≥ 85
Thermal conductivity of the subplate	≥ 38 W/mK (EN-GJS-500-7)	
Minimum distance between the longitudinal valve axes	≥ 55	

Individual assembly



Bank assembly



Notice:

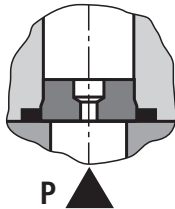
With regard to the hydraulic fluid temperature, observe the "Special conditions for safe use" on page 7.

Throttle insert

The use of a throttle insert is required when due to prevailing operating conditions, flows can occur during the switching processes, which exceed the performance limit of the valve.

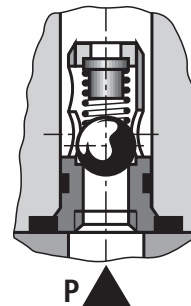
Examples:

- ▶ Accumulator operation,
- ▶ Use as pilot control valve with internal pilot fluid tapping.



Check valve insert

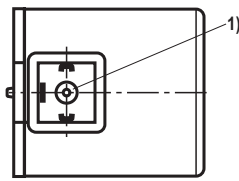
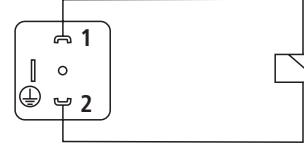

The check valve insert allows a free flow from P to A and closes A to P.



Electrical connection

The type-examination tested valve solenoid of the valve is equipped with an electrical connection according to the following table. The electrical connection of the solenoid is polarity-independent.

Electrical connections and coil connection combinations

Connector ordering code	Top view	Circuit diagram	Pin	Connections, assignment
Connector, 3-pole (2+PE) according to DIN EN 175301-803 (IP65)			1	Solenoid coil, polarity-independent
			2	
				Grounding

1) M3, maximum tightening torque $M_{A \max} = 1 \text{ Nm}$

Over-current fuse and switch-off voltage peaks

Voltage data in the valve type code	Nominal voltage Valve solenoid	Rated current Valve solenoid	Recommended pre-fuse characteristics medium time-lag according to DIN EN 60127-1
G24	24 V DC	0.95 A DC	1 A

Notice:

A fuse which corresponds to the rated current according to DIN 41571 and EN / IEC 60127 has to be connected upstream of every valve solenoid (max. $3 \times I_{\text{rated}}$).
The shut-off threshold of the fuse has to match the prospective short-circuit current of the supply source.
The prospective short-circuit current of the supply source may amount to a maximum of 1500 A.

This fuse may only be installed outside the potentially explosive atmosphere or must be of an explosion-proof design.
When inductivities are switched off, voltage peaks result which may cause faults in the connected control electronics.
The voltage peak must be damped by a suitable external circuitry.
We recommend a circuitry with a suppressor diode with a limitation voltage of approx. 50 V.

General information

Seat valves can be used according to the spool symbols as well as the assigned operating pressures and flows (see performance limits, page 8).

In order to ensure safe functioning, it is absolutely necessary to observe the following:

- ▶ Seat valves have a negative spool overlap, i.e. during the switching process, there is leakage oil. This process takes, however, place within such a short time that it is irrelevant in nearly all applications.
- ▶ The specified maximum flow must not be exceeded (use a throttle insert for flow limitation, if necessary).

4 main ports:

- ▶ The following lower operating values have to be observed:
 $p_{\min} = 8 \text{ bar}$; $q_V > 3 \text{ l/min}$.
- ▶ The ports P, A, B and T are clearly specified according to their tasks. They must not be exchanged or closed.
- ▶ Port T must always be connected.
- ▶ Observe the pressure level and pressure distribution.
- ▶ The flow is only permitted in the direction of arrow.

Accessories (separate order)**Mating connectors and cable sets**

Item ¹⁾	Designation	Version	Short designation	Material number	Data sheet
5	Cable sets; for ATEX valves with "K4" connector, 2-pole + PE, design A (large cubic connector)	3.0 m	DS2513...ATEX	R901200418	08006
		5.0 m		R901200460	
		12.0 m		R901200582	

¹⁾ See dimensions on page 10 ... 13.

Further information

- | | |
|---|--|
| ▶ Subplates | Data sheet 45100 |
| ▶ Use of non-electrical hydraulic components in an explosive environment (ATEX) | Data sheet 07011 |
| ▶ Hydraulic fluids on mineral oil basis | Data sheet 90220 |
| ▶ Environmentally compatible hydraulic fluids | Data sheet 90221 |
| ▶ Directional seat valves, direct operated, with solenoid actuation | Operating instructions 22049-XN-B |
| ▶ Selection of filters | www.boschrexroth.com/filter |
| ▶ Information on available spare parts | www.boschrexroth.com/spc |

Bosch Rexroth AG
Industrial Hydraulics
Zum Eisengießer 1
97816 Lohr am Main, Germany
Phone +49 (0) 93 52/40 30 20
my.support@boschrexroth.de
www.boschrexroth.de

© All rights reserved to Bosch Rexroth AG, also regarding any disposal, exploitation, reproduction, editing, distribution, as well as in the event of applications for industrial property rights.
The data specified above only serve to describe the product. No statements concerning a certain condition or suitability for a certain application can be derived from our information. The information given does not release the user from the obligation of own judgment and verification.
It must be remembered that our products are subject to a natural process of wear and aging.