

Liquid filled gauges

Model GFB

Nominal size: 63 mm (2.5"), 100 mm (4")

ASME B40.100 / EN 837-1 / IS-3624

Accuracy: Class 1.6 (1.6%)

Features

- Twin o-ring design for leak tight enclosure
- Protection IP65
- Usable to full scale
- Overload protection 130 %
- Measuring tubes SS316 / PB
- Minimized pulsation, Vibration and pointer flittering due to dampening effect

Ranges

-30 in. Hg ... 0 psi up to 0 ... 6,000 psi
 -1 ... 0 bar up to 0 ... 400 bar & kg/cm²
 -100 ... 0 kPa up to 0 ... 4,000 kPa

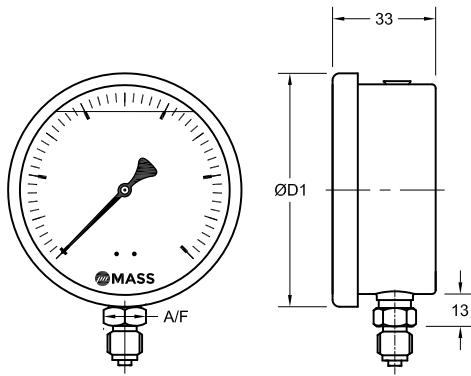


Applications

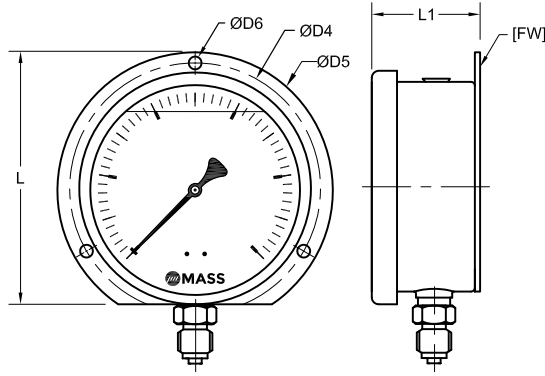
Power packs
 Hydraulic machinery
 Pumps
 Other vibration applications

Technical specification	GFB	
Dial size in mm	63	100
Construction	Open front cylindrical case with crimp type bezel ring	
Measuring principle	Bourdon tube	
Range in kg/cm ² (or bar)	1 1.6 2.5 4 6 10 16 25 40 60 100 160 250 400 -1/0 -1/0.6 -1/1.5 -1/3 -1/5 -1/9 -1/15 -1/24	
Overpressure limit	130 % F.S., short time.	
Pressure type	Gauge, vacuum and compound	
Process connection	1/8" 1/4" BSP / NPT (M)	1/4" 3/8" 1/2" BSP / NPT (M)
Connection location	Lower, back	
Material	Brass SS 316/ Phosphorous Bronze below 6 kg/cm ² , Brass Stainless steel 304 Acrylic glass Aluminum, black markings on white background Plastic, Black Aluminum, black Brass	
Accuracy	Class 1.6 (1.6% F.S)	
Permissible	Ambient temperature -40 ... 60 °C (-40 ... 140 °F) Medium temperature Max. 100 °C (212 °F) Storage temperature -40 ... 65 °C (-40 ... 150 °F) Effect Max. 0,3 % / 10 K	
Protection according	IP65	
Filling liquids	Glycerin, silicone, others on request	
Mounting	Standard stem, optional panel, bracket, surface or others on request	
Weight with liquid filling in kg	0.22	0.48

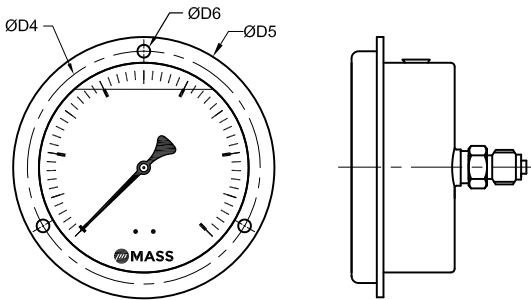
General dimensions in mm



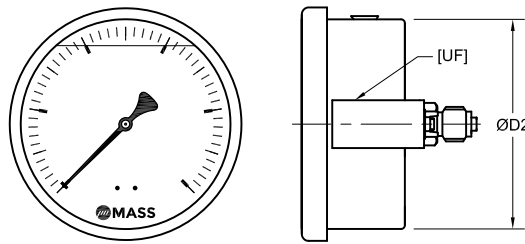
Lower Connection Direct Mounting



Lower Connection Surface Mounting



Back Connection Front Panel Mounting



Back Connection U-Clamp Mounting

Dial Size	63	100
ØD1	67.7	108
ØD2	61.6	98.6
ØD4	75	118
ØD5	85	132
ØD6	3.6	6
L	78	122
L1	36	37

Thread Size	A/F
1/8"	14
1/4"	14
3/8"	17
1/2"	22

Order information

Size	Type	System material	Execution	Process connection	Connection orientation	Range	Engineering units	Filling material	Options
(63) 63 mm	GFB	(B) Socket Brass, Tube SS316 ²⁾	(L) IP 65	(04) 1/2" NPT (M) ¹⁾	(L) Lower (C) Center back	-1/ 0 ²⁾	kg/cm ² (bar)	(=) No filling (GV) Silicone (GR) Glycerin	(NH) Tagging wired (DA) Dial Marking (CS) Dual Scale (FX) Front panel (FW) Surface plate (UF) U-clamp
(100) 100 mm				(03) 3/8" NPT (M) ¹⁾		-1/ 0.6 ²⁾			
	(02) 1/4" NPT (M)	-1/ 1.5 ²⁾							
	(01) 1/8" NPT (M) ³⁾	-1/ 3 ²⁾							
	(15) 1/2" BSP(M) ¹⁾	-1/ 5 ²⁾							
	(14) 3/8" BSP(M) ¹⁾	-1/ 9							
	(13) 1/4" BSP(M)	-1/ 15							
	(12) 1/8" BSP(M) ³⁾	0/ 1 ²⁾							
	(16) M20x1.5(M) ¹⁾	0/ 1.6 ²⁾							
		0/ 2.5 ²⁾							
		0/ 4 ²⁾							
		0/ 6 ²⁾							
		0/ 10							
		0/ 16							
		0/ 25							
		0/ 40							
		0/ 60							
		0/ 100							
		0/ 160							
		0/ 250							
		0/ 400							
		Others on request					Equivalent ranges in kPa, MPa, psi, bar and others units available		

1) Not for 63mm 2) Tube material Phosphorous Bronze for range below 6 kg/cm² 3) For 63 mm only

How to order

Size	Type	System material	Execution	Process connection	Connection orientation	Range	Engineering unit	Filling/case material	Option
63	GFB	B	L	02	L	0/16	KG/CM2	=	NH

Precision Mass Products Pvt. Ltd.

Plot No.: 2306, G.I.D.C. Chhatral, Ta: Kalol, Dist.: Gandhinagar, Chhatral -382729, Gujarat, India.

Telephone: +91-2764 233681/82/83

Email: sales@precisionmass.com

Fax: +91-2764-233440

www.precisionmass.com

- North Zone : sales.delhi@precisionmass.com
- East zone : sales.kolkata@precisionmass.com
- West zone : sales.mumbai@precisionmass.com
- South zone : sales.chennai@precisionmass.com